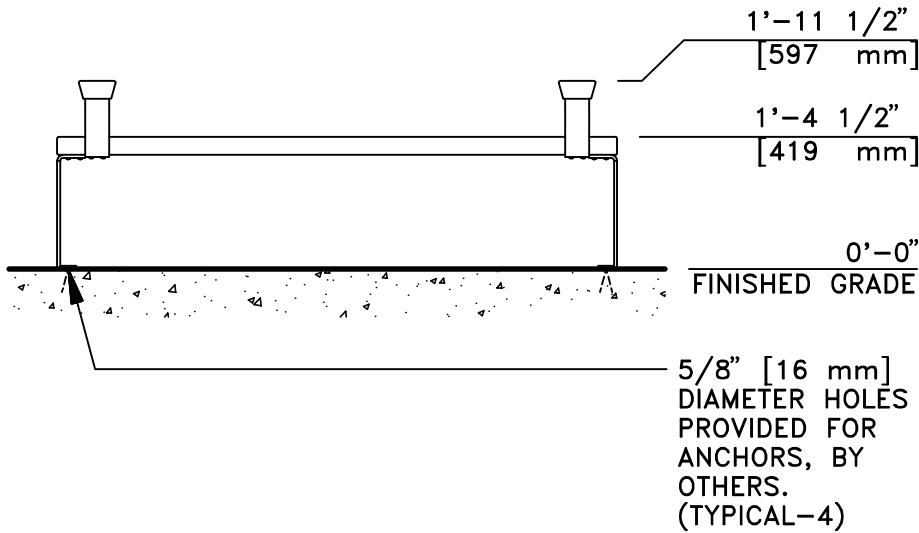


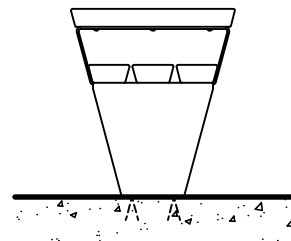
TOP VIEW

SCALE: 1/2" = 1'-0"



FRONT VIEW

SCALE: 1/2" = 1'-0"



END VIEW

SCALE: 1/2" = 1'-0"

AVAILABLE IN 6' (SHOWN AND 8' NOMINAL LENGTHS.
OTHER LENGTHS AVAILABLE UPON REQUEST.

This drawing reveals the copyrighted intellectual property of Columbia Cascade Company. Not for use by others without our express, written authorization.

Authorization for use is hereby granted to architects, landscape architects and similar design professionals solely for the purpose of specifying TimberForm products.

COLUMBIA CASCADE COMPANY
 Makers of TimberForm®, PipeLine®
 RePlay®, TimberForm®-2, InterPlay®
 CycLoops® and CycLocker® Products.

Title:
TIMBERFORM DILLER
MODEL NO. 2014-6
SEAT WITH ARMRESTS

1300 S.W. Sixth Avenue, Suite 310 Telephone 503/223-1157
 Portland, Oregon 97201-3464 Facsimile 503/223-4530
 U.S.A.

Scale	Drawn by: Ian	09-11-15
NOTED	Ch'd by: CL	09-11-15

WWW.TIMBERFORM.COM

Drawing No.	W-2014-6
-------------	----------

Sheet	1 of 1
-------	--------