

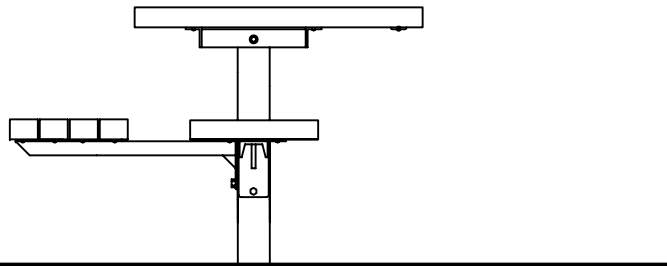
TOP VIEW

SCALE: 1/2"=1'-0"

2'-8"
(813 mm)

1'-6"
(457 mm)

0'-0"
FINISHED GRADE



FRONT VIEW

SCALE: 1/2"=1'-0"

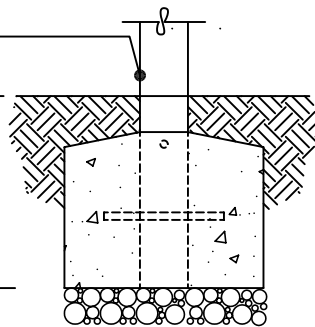


DIRECT EMBEDMENT POST

0'-0"
FINISHED GRADE

NOTE:
CONCRETE FOOTING AND NO. 4 REBAR (BY OTHERS) PER LOCAL SOIL CONDITIONS. CONSULT PROJECT ENGINEER FOR EXACT REQUIREMENTS.

-(1'-4")
-(406 mm)

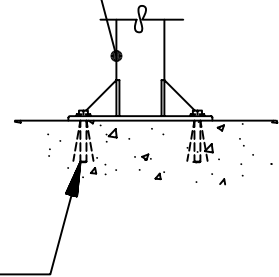


2061-ADA-E (DIRECT EMBEDMENT)
SCALE: 3/4"=1'-0"

PEDESTAL MOUNT POST

0'-0"
FINISHED GRADE

7/8" (22 mm) DIAMETER HOLES PROVIDED IN FRAME FOR ANCHORING DEVICES BY OTHERS. (TYPICAL-4)



2061-ADA-P (PEDESTAL MOUNT)
SCALE: 3/4"=1'-0"

This drawing reveals the copyrighted intellectual property of Columbia Cascade Company. Not for use by others without our express, written authorization.

Authorization for use is hereby granted to architects, landscape architects and similar design professionals solely for the purpose of specifying TimberForm products.



COLUMBIA CASCADE COMPANY

Makers of TimberForm®, PipeLine®, RePlay®, TimberForm®-2, InterPlay®, CycLoops® and CycLocker® Products.

1300 S.W. Sixth Avenue, Suite 310 Telephone 503/223-1157
Portland, Oregon 97201-3464 Facsimile 503/223-4530
U.S.A.

WWW.TIMBERFORM.COM

Title:

TIMBERFORM PARKWAY TABLES
MODEL NO. 2061-ADA
ACCESSIBLE INTEGRAL TABLE
WITH THREE SEATS
(RECYCLED PLASTIC SLATS)

Drawing No.
W-2061-ADA

Sheet
1 of 1



Scale NOTED
Drawn by: AT 07-04-10
Ck'd by: