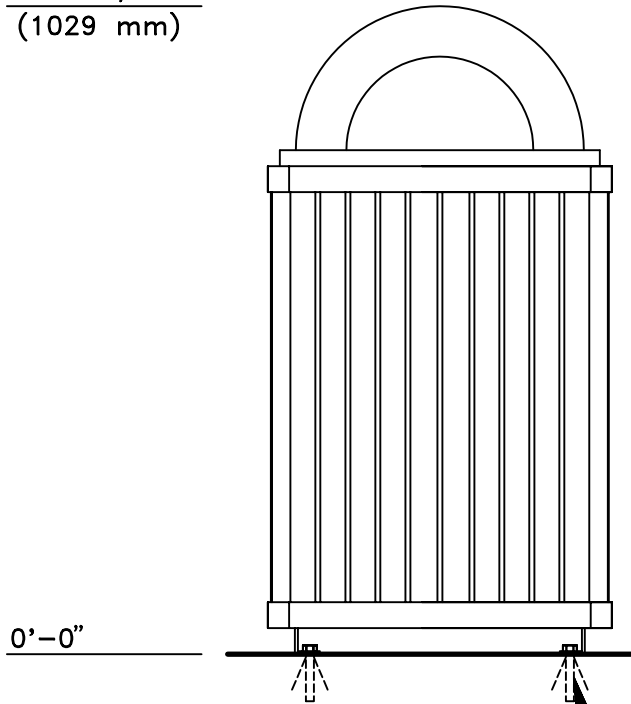


TOP VIEW

$3'-4 \frac{1}{2}''$
(1029 mm)



FRONT VIEW

5/8" (16 mm) DIA. HOLES PROVIDED FOR ANCHORS BY OTHERS. (TYPICAL-4)

INCLUDES 36-GALLON RECYCLED PLASTIC LINER.

This drawing reveals the copyrighted intellectual property of Columbia Cascade Company. Not for use by others without our express, written authorization.

Authorization for use is hereby granted to architects, landscape architects and similar design professionals solely for the purpose of specifying TimberForm products.



COLUMBIA CASCADE COMPANY

Makers of TimberForm[®], PipeLine[®], RePlay[®], TimberForm[®]-2, InterPlay[®], CycLoops[®] and CycLocker[®] Products.

1300 S.W. Sixth Avenue, Suite 310 Telephone 503/223-1157
Portland, Oregon 97201-3464 Facsimile 503/223-4530
U.S.A.

WWW.TIMBERFORM.COM

Title:

TIMBERFORM ANTIGO
MODEL NO. 2126-DT
LITTER CONTAINER
WITH DOME TOP



Scale
1"=1'-0"

Drawn by: AT 07-04-10
Ck'd by:

Drawing No.
W-2126-DT

Sheet
1 of 1