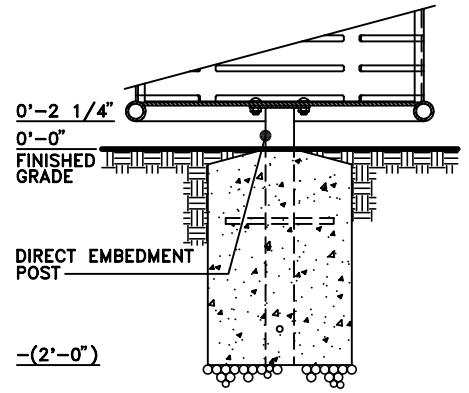
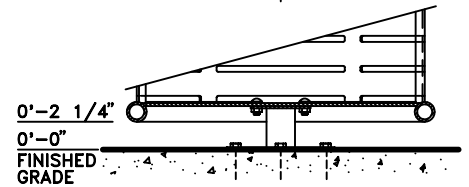
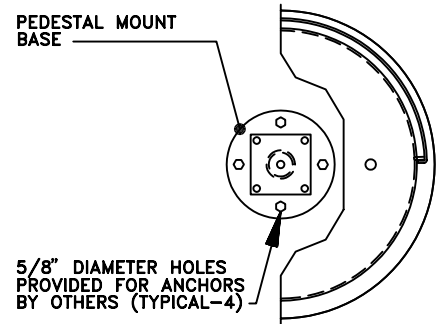


TOP VIEW

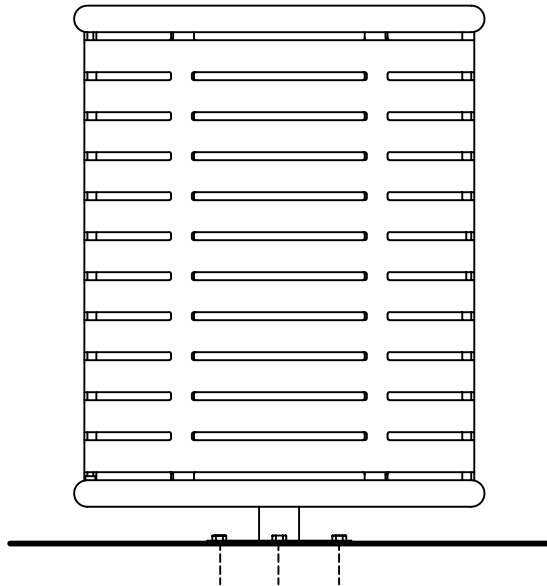


2629-FT-E (EMBEDMENT)
SCALE: N.T.S.

2'-9 5/8"



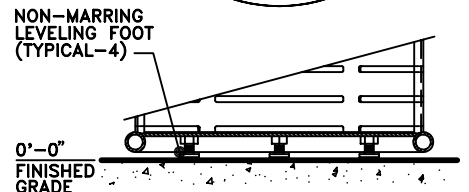
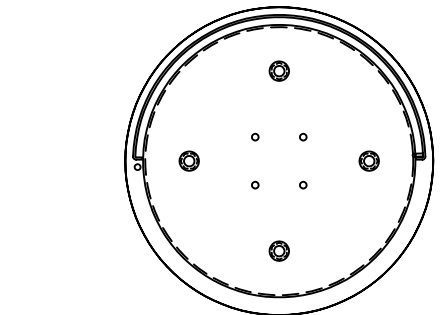
2629-FT-P (PEDESTAL MOUNT)
SCALE: N.T.S.



0'-0"

FRONT VIEW

2629-FT-P (PEDESTAL MOUNT)
SCALE: 1" = 1'-0"



2629-FT-L (LEVELING MOUNT)
SCALE: N.T.S.

INCLUDES 32-GALLON RECYCLED PLASTIC LINER.
RECYCLING TOPS AND SIGNAGE AVAILABLE UPON REQUEST.

This drawing reveals the copyrighted intellectual property of Columbia Cascade Company. Not for use by others without our express, written authorization. Authorization for use is hereby granted to architects, landscape architects and similar design professionals solely for the purpose of specifying TimberForm products.

COLUMBIA CASCADE COMPANY
Makers of TimberForm®, PipeLine®, RePlay®, TimberForm®-2, InterPlay®, CycLoops® and CycLocker® Products.
1300 S.W. Sixth Avenue, Suite 310 Telephone 503/223-1157
Portland, Oregon 97201-3464 Facsimile 503/223-4530
U.S.A.
WWW.TIMBERFORM.COM

Title:
TIMBERFORM BROADWAY
MODEL NO. 2629-FT
LITTER CONTAINER, SIDE EMPTY
WITH FLAT TOP

Scale NOTED
Drawn by: CL 04-16-10
Ck'd by:

Drawing No. W-2629-FT
Sheet 1 of 1