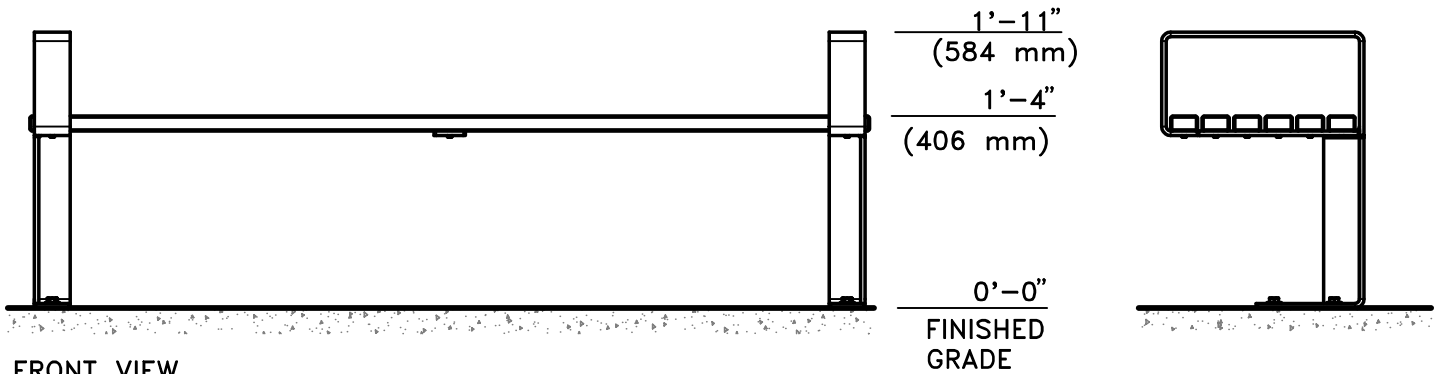
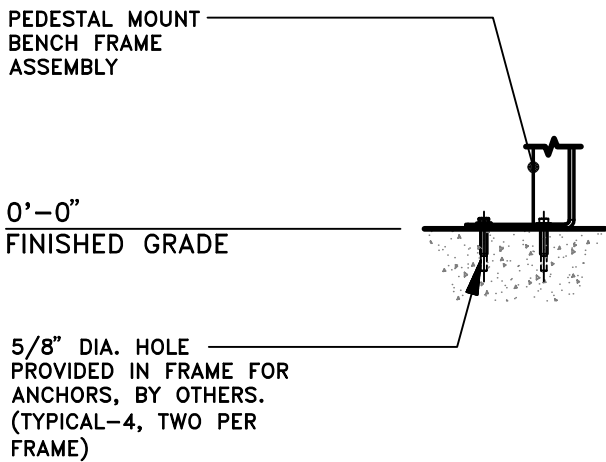


TOP VIEW  
SCALE 3/4" = 1'-0"

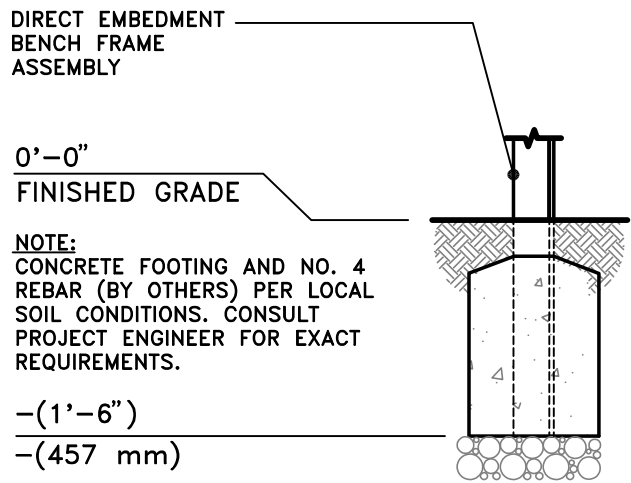


FRONT VIEW  
SCALE 3/4" = 1'-0"

AVAILABLE IN 3', 4', 6' (SHOWN), 7' & 8' NOMINAL LENGTHS.  
OTHER LENGTHS AVAILABLE UPON REQUEST.



2723-6-P (PEDESTAL MOUNT)



2723-6-E (DIRECT EMBEDMENT)

Date	Revision	By
△		
△		
△		
△		
Scale	Drawn by: IH	02-27-20
NOTED	Ck'd by: JK	02-27-20

**COLUMBIA CASCADE COMPANY**  
 Makers of TimberForm®, PipeLine®, RePlay®, TimberForm®-2 and CycLoops® Products.  
 1300 S.W. Sixth Avenue, Suite 310 Telephone 503/223-1157  
 Portland, Oregon 97201-3464 Facsimile 503/223-4530  
 U.S.A.  
 This drawing reveals the copyrighted intellectual property of Columbia Cascade Company. Not for use by others without our express, written authorization.

Title: **TIMBERFORM HUMBOLDT MODEL NO. 2723-6 HUMBOLDT SEAT**  
 Drawing No. **W-2723-6**  
 Sheet **1 of 1**