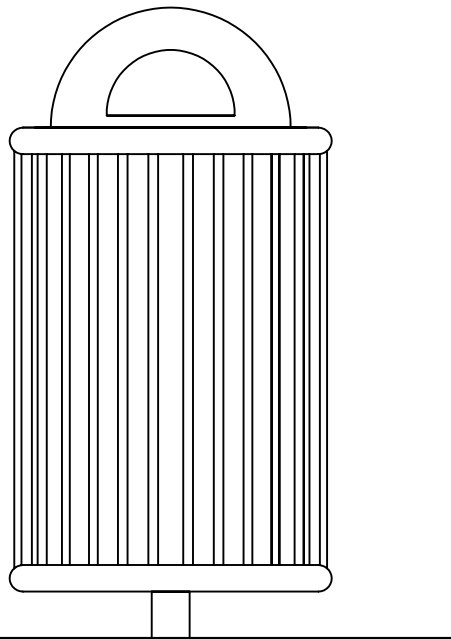


TOP VIEW
SCALE: 1"=1'-0"

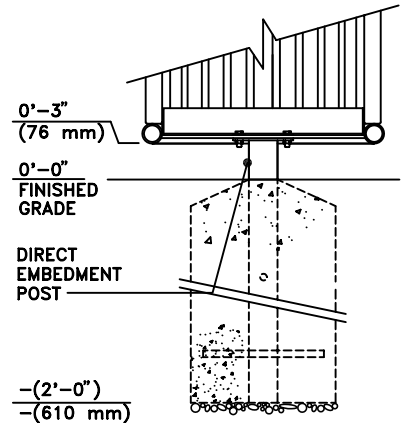
3'-3 1/2"
(1003 mm)



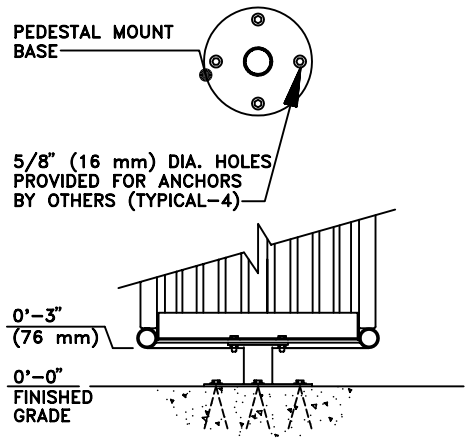
0'-0"
FINISHED GRADE

FRONT VIEW
SCALE: 1"=1'-0"

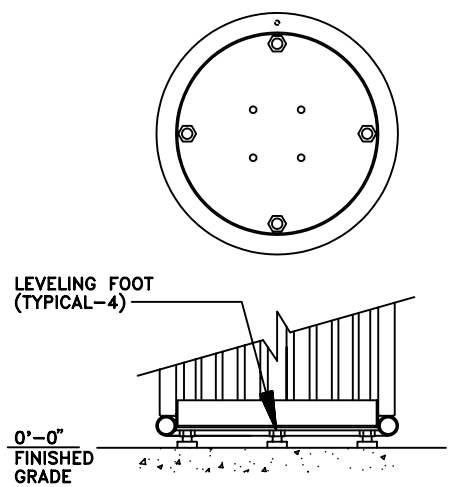
INCLUDES 18-GALLON RECYCLED PLASTIC LINER.
SEE DETAILS AT RIGHT FOR INDIVIDUAL MODELS.



0'-3"
(76 mm)
0'-0"
FINISHED GRADE
DIRECT EMBEDMENT POST
-2'-0"
-(610 mm)
NOTE:
CONCRETE FOOTING AND NO. 4 REBAR (BY OTHERS) PER LOCAL SOIL CONDITIONS. CONSULT PROJECT ENGINEER FOR EXACT REQUIREMENTS.
2770-HT-E (EMBEDMENT)
SCALE: 3/4"=1'-0"



PEDESTAL MOUNT BASE
5/8" (16 mm) DIA. HOLES PROVIDED FOR ANCHORS BY OTHERS (TYPICAL-4)
0'-3"
(76 mm)
0'-0"
FINISHED GRADE
2770-HT-P (PEDESTAL MOUNT)
SCALE: 3/4"=1'-0"



LEVELING FOOT (TYPICAL-4)
0'-0"
FINISHED GRADE
2770-HT-L (LEVELING MOUNT)
SCALE: 3/4"=1'-0"

This drawing reveals the copyrighted intellectual property of Columbia Cascade Company. Not for use by others without our express, written authorization.
Authorization for use is hereby granted to architects, landscape architects and similar design professionals solely for the purpose of specifying TimberForm products.

Scale NOTED

Drawn by: AT 07-04-10
Ck'd by:

COLUMBIA CASCADE COMPANY
Makers of TimberForm®, PipeLine®, RePlay®, TimberForm®-2, InterPlay®, CycLoops® and CycLocker® Products.
1300 S.W. Sixth Avenue, Suite 310 Telephone 503/223-1157
Portland, Oregon 97201-3464 Facsimile 503/223-4530 U.S.A.
WWW.TIMBERFORM.COM

Title:
**TIMBERFORM PLAZA
MODEL NO. 2770-HT
LITTER CONTAINER,
WITH HAMPER TOP**

Drawing No. W-2770-HT
Sheet 1 of 1