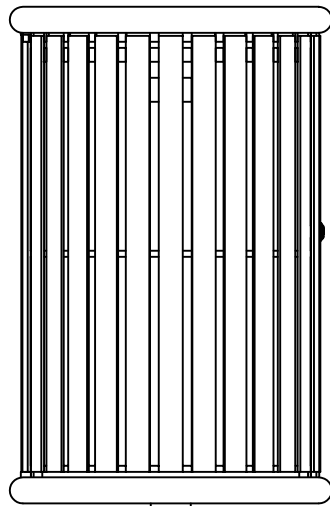


TOP VIEW  
SCALE: 1" = 1'-0"

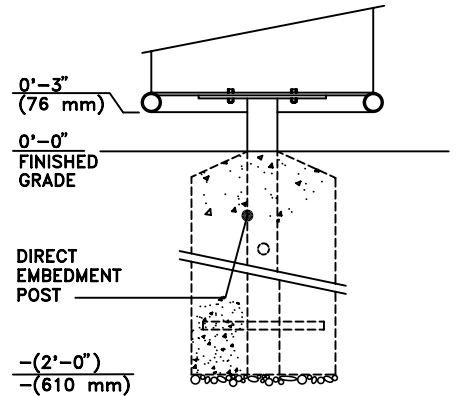
2'-10"  
(864 mm)



0'-0"  
FINISHED GRADE

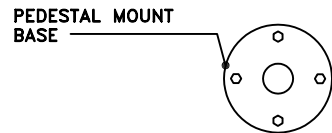
FRONT VIEW  
SCALE: 1" = 1'-0"

INCLUDES 23-GALLON RECYCLED PLASTIC LINER.  
SEE DETAILS AT RIGHT FOR INDIVIDUAL MODELS.

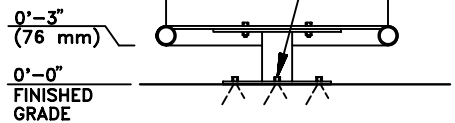


NOTE:  
CONCRETE FOOTING AND NO. 4 REBAR (BY OTHERS) PER LOCAL SOIL CONDITIONS. CONSULT PROJECT ENGINEER FOR EXACT REQUIREMENTS.

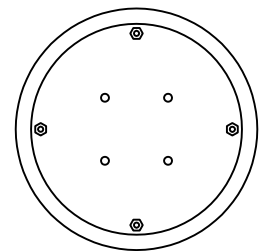
2815-FT-E (EMBEDMENT)  
SCALE: 3/4" = 1'-0"



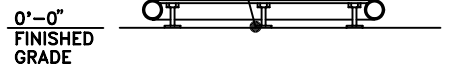
5/8" (16 mm) DIA. HOLES PROVIDED FOR ANCHORS BY OTHERS (TYPICAL-4)



2815-FT-P (PEDESTAL MOUNT)  
SCALE: 3/4" = 1'-0"



LEVELING FOOT (TYPICAL-4)



2815-FT-L (LEVELING MOUNT)  
SCALE: 3/4" = 1'-0"

of Columbia Cascade Company without our express, written authorization. Authorization for use is hereby granted to architects, landscape architects and similar design professionals using TimberForm products.

**COLUMBIA CASCADE COMPANY**  
Makers of TimberForm®, PipeLine®, RePlay®, TimberForm®-2, InterPlay®, CycLoops® and CycLocker® Products.

1300 S.W. Sixth Avenue, Suite 310 Telephone 503/223-1157  
Portland, Oregon 97201-3464 Facsimile 503/223-4530 U.S.A.

WWW.TIMBERFORM.COM

Title:  
TIMBERFORM RENAISSANCE  
MODEL NO. 2815-FT  
LITTER CONTAINER, SIDE EMPTY  
WITH FLAT TOP



Scale NOTED  
Drawn by: AT 07-04-10  
Ck'd by:

Drawing No.  
W-2815-FT

Sheet  
1 of 1