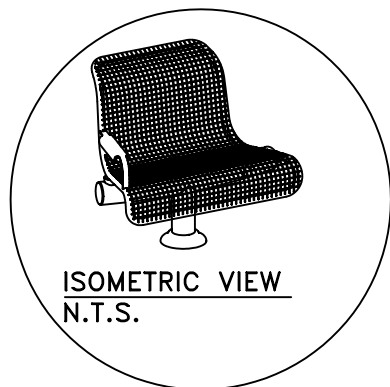
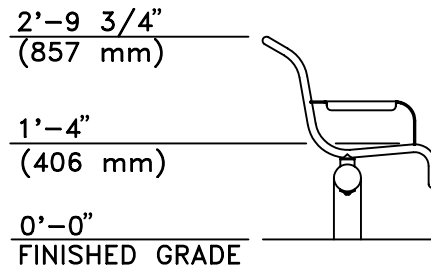


TOP VIEW
SCALE: 3/8"=1'-0"

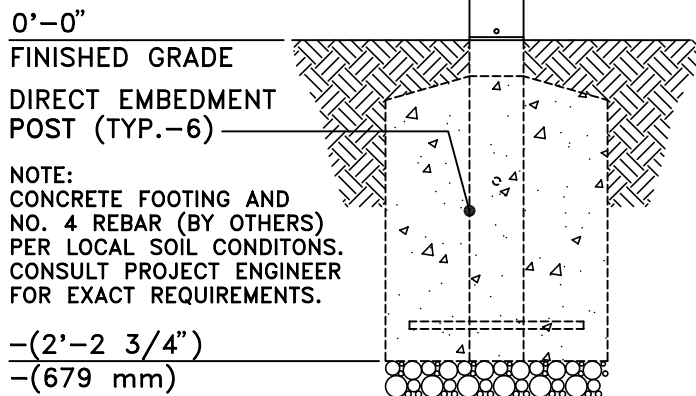


ISOMETRIC VIEW
N.T.S.

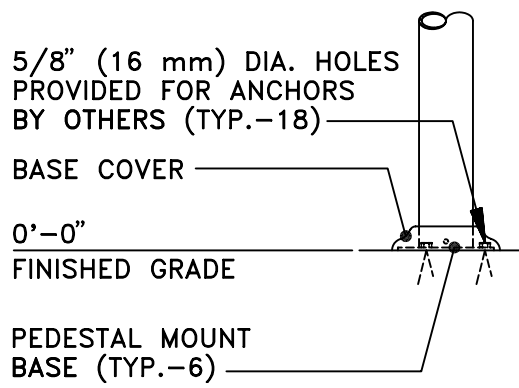
END VIEW
SCALE: 3/8"=1'-0"



OPTIONS: RADIUS AND NUMBER OF SECTIONS (AVAILABLE UPON REQUEST).



2889-6-E (DIRECT EMBEDMENT)
SCALE: 3/4"=1'-0"



2889-6-P (PEDESTAL MOUNT)
SCALE: 3/4"=1'-0"

This drawing reveals the copyrighted intellectual property of Columbia Cascade Company. Not for use by others without our express, written authorization.

Authorization for use is hereby granted to architects, landscape architects and similar design professionals solely for the purpose of specifying TimberForm products.

COLUMBIA CASCADE COMPANY
Makers of TimberForm®, PipeLine®, RePlay®, TimberForm®-2, InterPlay®, CycLoops® and CycLocker® Products.

1300 S.W. Sixth Avenue, Suite 310 Telephone 503/223-1157
Portland, Oregon 97201-3464 Facsimile 503/223-4530
U.S.A.

Title:
TIMBERFORM PROFILE
MODEL NO. 2889-6
6 SECTION BENCH WITH ARMRESTS



Scale NOTED
Drawn by: AT 07-04-10
Ck'd by:

WWW.TIMBERFORM.COM

Drawing No.
W-2889-6

Sheet
1 of 1