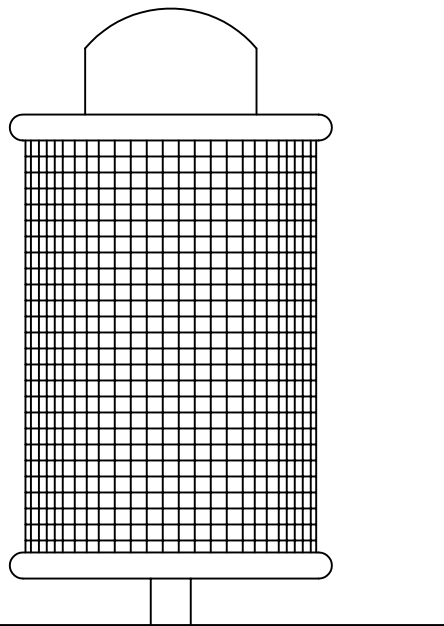


TOP VIEW  
SCALE: 1"=1'-0"

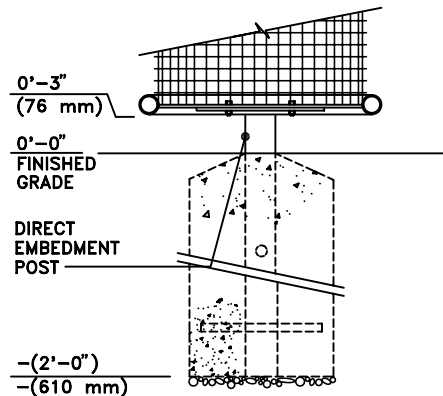
3'-2 5/8"  
(981 mm)



0'-0"  
FINISHED GRADE

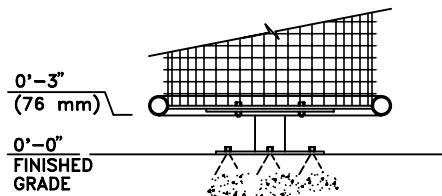
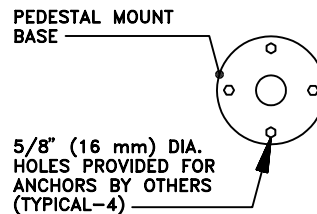
FRONT VIEW  
SCALE: 1"=1'-0"

INCLUDES 18-GALLON RECYCLED PLASTIC LINER.  
SEE DETAILS AT RIGHT FOR INDIVIDUAL MODELS.

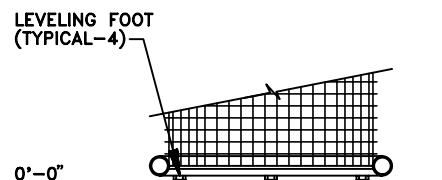
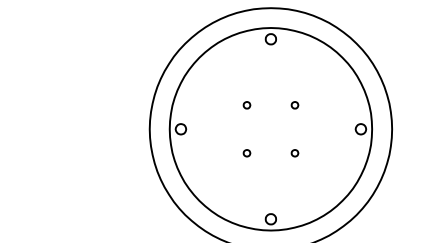


NOTE:  
CONCRETE FOOTING AND NO. 4 REBAR (BY OTHERS) PER LOCAL SOIL CONDITIONS. CONSULT PROJECT ENGINEER FOR EXACT REQUIREMENTS.

2891-DT-E (EMBEDMENT)  
SCALE: 3/4"=1'-0"



2891-DT-P (PEDESTAL MOUNT)  
SCALE: 3/4"=1'-0"



2891-DT-L (LEVELING MOUNT)  
SCALE: 3/4"=1'-0"

This drawing reveals the copyrighted intellectual property of Columbia Cascade Company. Not for use by others without our express, written authorization.  
Authorization for use is hereby granted to architects, landscape architects and similar design professionals solely for the purpose of specifying TimberForm products.

Scale NOTED

Drawn by: AT 07-04-10  
Ck'd by:

**COLUMBIA CASCADE COMPANY**  
Makers of TimberForm®, PipeLine®, RePlay®, TimberForm®-2, InterPlay®, CycLoops® and CycLocker® Products.

1300 S.W. Sixth Avenue, Suite 310 Telephone 503/223-1157  
Portland, Oregon 97201-3464 Facsimile 503/223-4530  
U.S.A.

WWW.TIMBERFORM.COM

Title:  
TIMBERFORM PROFILE  
MODEL NO. 2891-DT  
LITTER CONTAINER  
WITH DOME TOP

Drawing No. W-2891-DT

Sheet 1 of 1