

TOP VIEW

2'-6"  
(762 mm)

1"  
(25 mm)

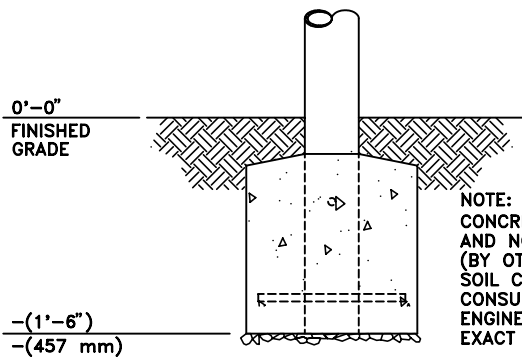
SPECIFY MATCHING CHAIR MODEL NO. 2911-20 OR SEAT NO. 2910-20

0'-0"

FINISHED GRADE

FRONT VIEW

SPECIFY NO. 2913 FOR OPTIONAL GAMEBOARD OR NO. 2914 FOR UMBRELLA HOLE.



2912-4444-E (DIRECT EMBEDMENT)

NOTE:  
CONCRETE FOOTING  
AND NO. 4 REBAR  
(BY OTHERS) PER LOCAL  
SOIL CONDITIONS.  
CONSULT PROJECT  
ENGINEER FOR  
EXACT REQUIREMENTS.

7/8" (22 mm) DIAMETER HOLES  
PROVIDED FOR ANCHORS  
BY OTHERS

0'-0"  
FINISHED  
GRADE

2912-4444-P (PEDESTAL MOUNT)

This drawing reveals the copyrighted intellectual property of Columbia Cascade Company. Not for use by others without our express, written authorization.

Authorization for use is hereby granted to architects, landscape architects and similar design professionals solely for the purpose of specifying TimberForm products.



COLUMBIA CASCADE COMPANY

Makers of TimberForm®, PipeLine®, RePlay®, TimberForm®-2, InterPlay®, CycLoops® and CycLocker® Products.

1300 S.W. Sixth Avenue, Suite 310 Telephone 503/223-1157  
Portland, Oregon 97201-3464 Facsimile 503/223-4530  
U.S.A.

WWW.TIMBERFORM.COM

Title:  
TIMBERFORM RENAISSANCE TABLES  
MODEL NO. 2912-4444  
ACCESSIBLE SQUARE TABLE  
WITH CENTER SUPPORT



Scale  
3/4" = 1'-0"

Drawn by: AT 07-04-10  
Ck'd by:

Drawing No.  
W-2912-4444

Sheet  
1 of 1