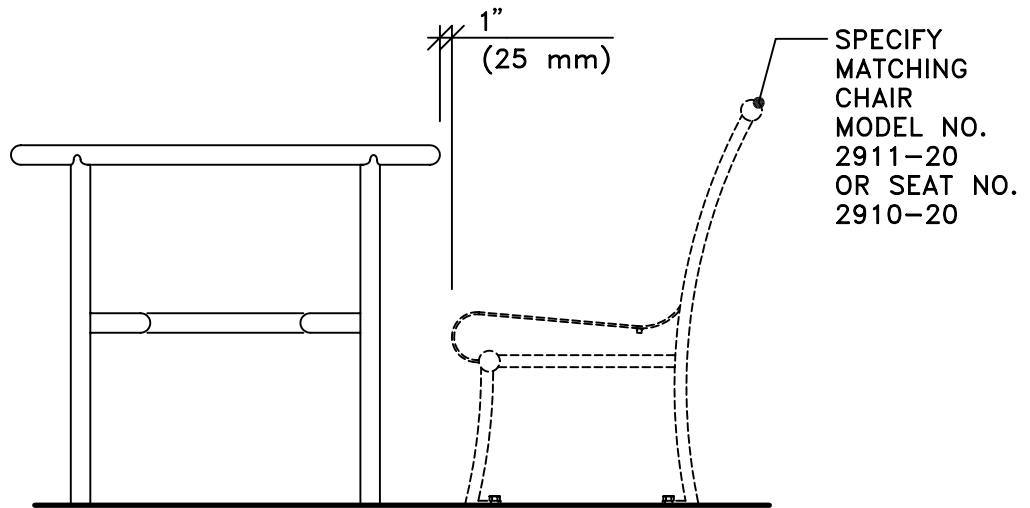


**TOP VIEW**

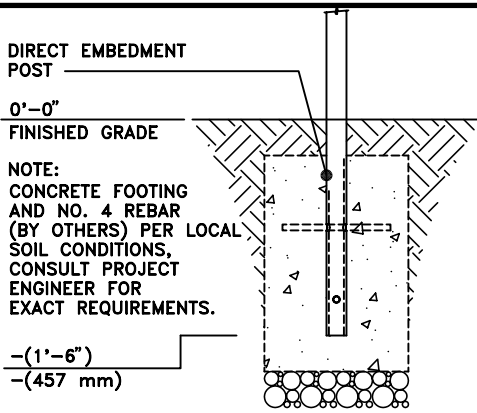
2'-6"  
(762 mm)



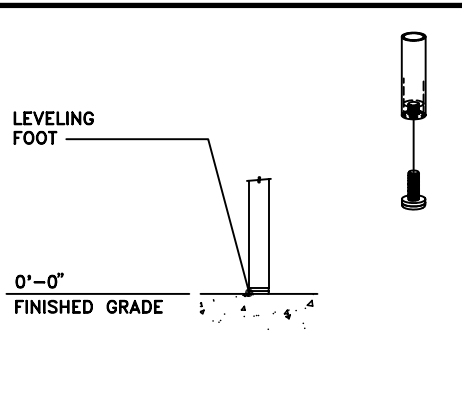
0'-0"  
FINISHED GRADE

**FRONT VIEW**

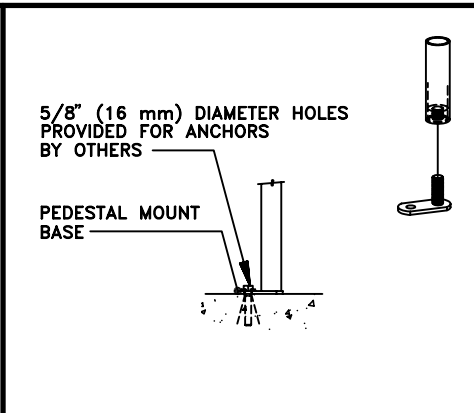
SPECIFY NO. 2916 FOR OPTIONAL GAMEBOARD OR NO. 2917 FOR UMBRELLA HOLE.



**2915-0036-E (DIRECT EMBEDMENT)**



**2915-0036-L (LEVELING MOUNT)**



**2915-0036-P (PEDESTAL MOUNT)**

This drawing reveals the copyrighted intellectual property of Columbia Cascade Company. Not for use by others without our express, written authorization.  
 Authorization for use is hereby granted to architects, landscape architects and similar design professionals solely for the purpose of specifying TimberForm products.

**COLUMBIA CASCADE COMPANY**  
 Makers of TimberForm®, PipeLine®, RePlay®, TimberForm®-2, InterPlay®, CycLoops® and CycLocker® Products.

Title:  
**TIMBERFORM RENAISSANCE TABLES**  
 MODEL NO. 2915-0036  
 ROUND TABLE WITH FOUR LEGS

Scale: 3/4" = 1'-0"  
 Drawn by: AT 07-04-10  
 Ck'd by:

1300 S.W. Sixth Avenue, Suite 310 Telephone 503/223-1157  
 Portland, Oregon 97201-3464 Facsimile 503/223-4530  
 U.S.A.  
 WWW.TIMBERFORM.COM

Drawing No. W-2915-0036  
 Sheet 1 of 1