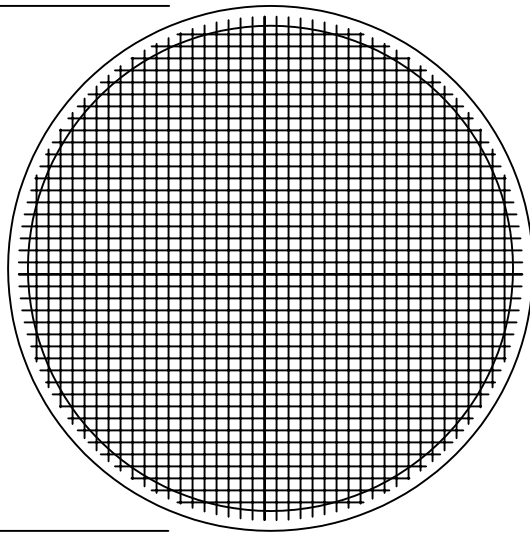
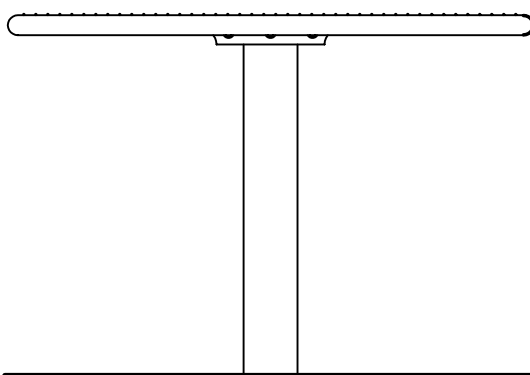


3'-7 3/4" DIAMETER  
(1111 mm)



TOP VIEW

2'-6"  
(762 mm)



1"  
(25 mm)

SPECIFY MATCHING CHAIR MODELS NO. 2921-20, 2941-20 (SHOWN), 2961-20 OR SEAT MODELS NO. 2920-20, 2940-20, 2960-20

0'-0"

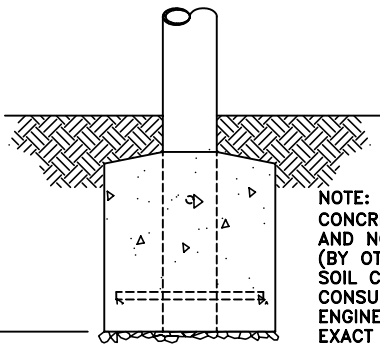
FINISHED GRADE

FRONT VIEW

SPECIFY NO. 2923 FOR OPTIONAL GAMEBOARD OR NO. 2924 FOR UMBRELLA HOLE.



0'-0"  
FINISHED GRADE



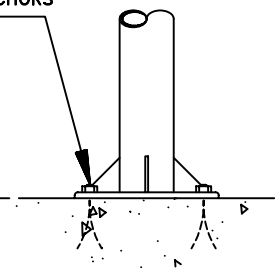
NOTE: CONCRETE FOOTING AND NO. 4 REBAR (BY OTHERS) PER LOCAL SOIL CONDITIONS, CONSULT PROJECT ENGINEER FOR EXACT REQUIREMENTS.

-(1'-6")  
-(457 mm)

2922-0044-E (DIRECT EMBEDMENT)

7/8" (22 mm) DIAMETER HOLES PROVIDED FOR ANCHORS BY OTHERS

0'-0"  
FINISHED GRADE



2922-0044-P (PEDESTAL MOUNT)

This drawing reveals the copyrighted intellectual property of Columbia Cascade Company. Not for use by others without our express, written authorization.

Authorization for use is hereby granted to architects, landscape architects and similar design professionals solely for the purpose of specifying TimberForm products.



COLUMBIA CASCADE COMPANY

Makers of TimberForm®, PipeLine®, RePlay®, TimberForm®-2, InterPlay®, CycLoops® and CycLocker® Products.

1300 S.W. Sixth Avenue, Suite 310 Telephone 503/223-1157  
Portland, Oregon 97201-3464 Facsimile 503/223-4530  
U.S.A.

WWW.TIMBERFORM.COM

Title: TIMBERFORM PROFILE TABLES  
MODEL NO. 2922-0044  
ACCESSIBLE ROUND TABLE  
WITH CENTER SUPPORT



Scale  
3/4" = 1'-0"

Drawn by: AT 07-04-10  
Ck'd by:

Drawing No.  
W-2922-0044

Sheet  
1 of 1