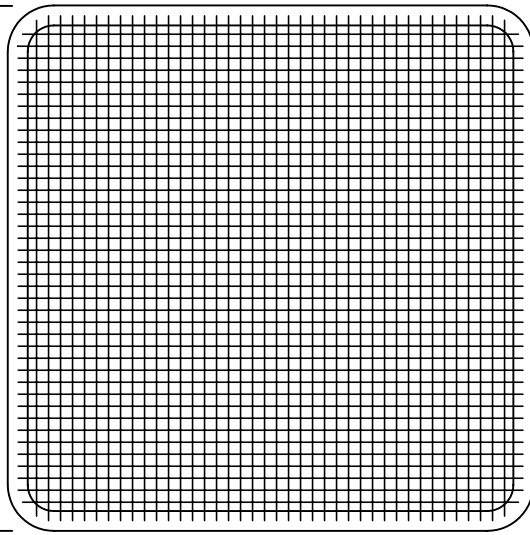
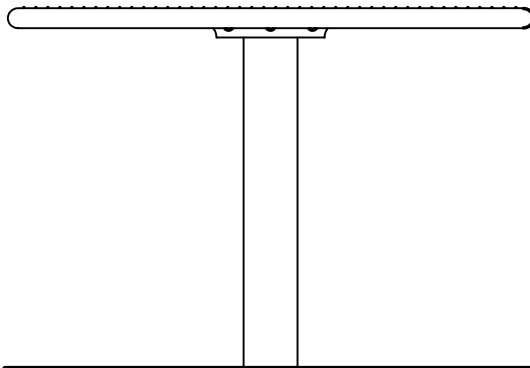


3'-7 3/4" TYPICAL
(1111 mm)



TOP VIEW

2'-6"
(762 mm)

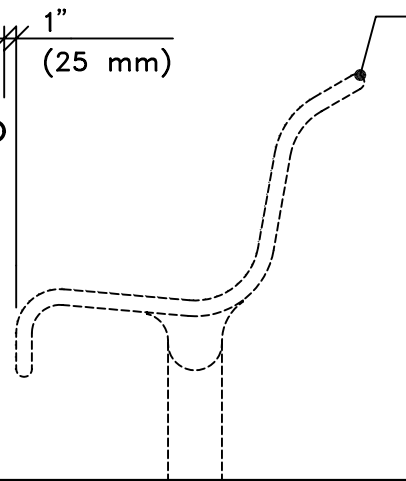


0'-0"

FINISHED
GRADE

FRONT VIEW

1"
(25 mm)

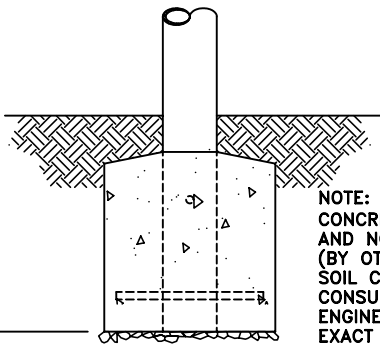


SPECIFY
MATCHING
CHAIR
MODELS NO.
2921-20
2941-20 (SHOWN)
2961-20
OR SEAT
MODELS NO.
2920-20
2940-20
2960-20

SPECIFY NO. 2923 FOR OPTIONAL GAMEBOARD OR NO. 2924 FOR UMBRELLA HOLE.



0'-0"
FINISHED
GRADE



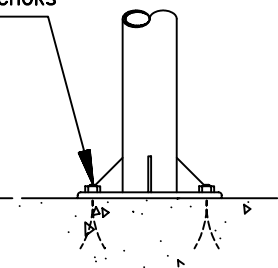
-(1'-6")
-(457 mm)

NOTE:
CONCRETE FOOTING
AND NO. 4 REBAR
(BY OTHERS) PER LOCAL
SOIL CONDITIONS,
CONSULT PROJECT
ENGINEER FOR
EXACT REQUIREMENTS.

2922-4444-E (DIRECT EMBEDMENT)

7/8" (22 mm) DIAMETER HOLES
PROVIDED FOR ANCHORS
BY OTHERS

0'-0"
FINISHED
GRADE



2922-4444-P (PEDESTAL MOUNT)

This drawing reveals the copyrighted intellectual property of Columbia Cascade Company. Not for use by others without our express, written authorization.

Authorization for use is hereby granted to architects, landscape architects and similar design professionals solely for the purpose of specifying TimberForm products.



COLUMBIA CASCADE COMPANY

Makers of TimberForm®, PipeLine®, RePlay®, TimberForm®-2, InterPlay®, CycLoops® and CycLocker® Products.

1300 S.W. Sixth Avenue, Suite 310 Telephone 503/223-1157
Portland, Oregon 97201-3464 Facsimile 503/223-4530
U.S.A.

WWW.TIMBERFORM.COM

Title:
TIMBERFORM PROFILE TABLES
MODEL NO. 2922-4444
ACCESSIBLE SQUARE TABLE
WITH CENTER SUPPORT



Scale
3/4" = 1'-0"

Drawn by: AT 07-04-10
Ck'd by:

Drawing No.
W-2922-4444

Sheet
1 of 1