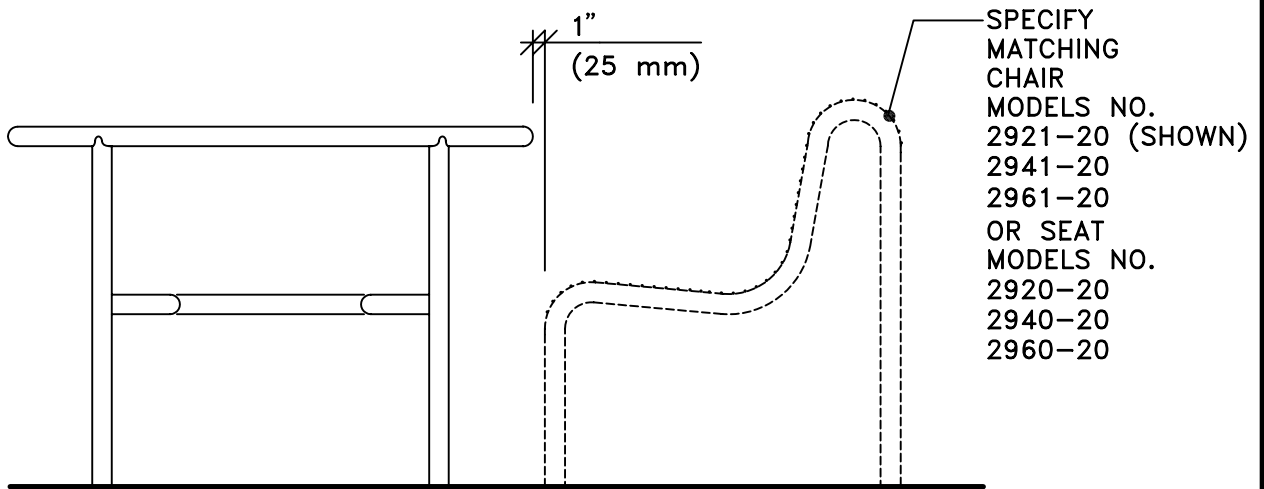


TOP VIEW

2'-6"
(762 mm)



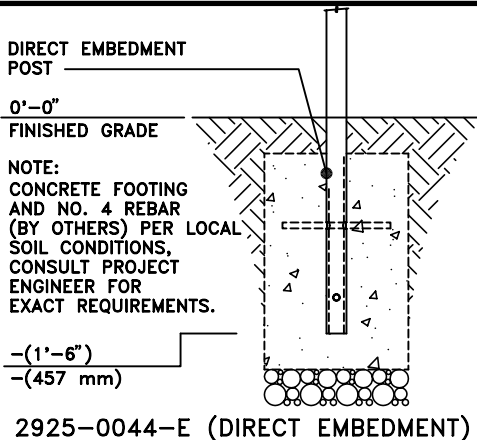
0'-0"

FINISHED GRADE

FRONT VIEW

SPECIFY MATCHING CHAIR MODELS NO. 2921-20 (SHOWN) 2941-20 2961-20 OR SEAT MODELS NO. 2920-20 2940-20 2960-20

SPECIFY NO. 2926 FOR OPTIONAL GAMEBOARD OR NO. 2927 FOR UMBRELLA HOLE.



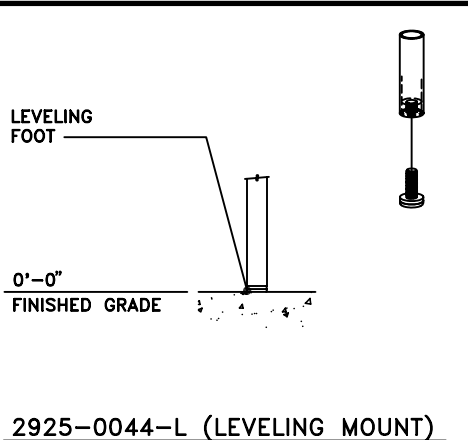
DIRECT EMBEDMENT POST

0'-0"
FINISHED GRADE

NOTE: CONCRETE FOOTING AND NO. 4 REBAR (BY OTHERS) PER LOCAL SOIL CONDITIONS, CONSULT PROJECT ENGINEER FOR EXACT REQUIREMENTS.

-(1'-6")
-(457 mm)

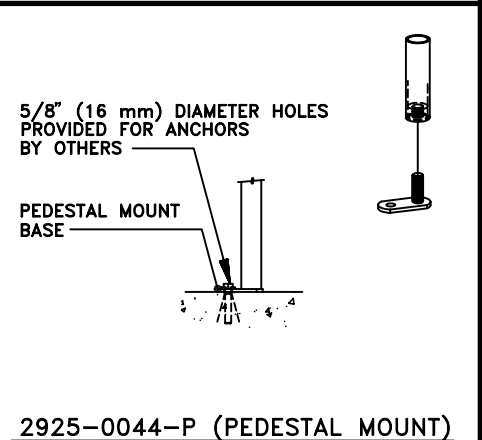
2925-0044-E (DIRECT EMBEDMENT)



LEVELING FOOT

0'-0"
FINISHED GRADE

2925-0044-L (LEVELING MOUNT)



5/8" (16 mm) DIAMETER HOLES PROVIDED FOR ANCHORS BY OTHERS

PEDESTAL MOUNT BASE

2925-0044-P (PEDESTAL MOUNT)

This drawing reveals the copyrighted intellectual property of Columbia Cascade Company. Not for use by others without our express, written authorization. Authorization for use is hereby granted to architects, landscape architects and similar design professionals solely for the purpose of specifying TimberForm products.

COLUMBIA CASCADE COMPANY
Makers of TimberForm®, PipeLine®, RePlay®, TimberForm®-2, InterPlay®, CycLoops® and CycLocker® Products.

Title: **TIMBERFORM PROFILE TABLES**
MODEL NO. 2925-0044
ROUND TABLE WITH FOUR LEGS

Scale: 3/4" = 1'-0"
Drawn by: AT 07-04-10
Ck'd by:

1300 S.W. Sixth Avenue, Suite 310 Telephone 503/223-1157
Portland, Oregon 97201-3464 Facsimile 503/223-4530 U.S.A.
WWW.TIMBERFORM.COM

Drawing No. W-2925-0044 Sheet 1 of 1