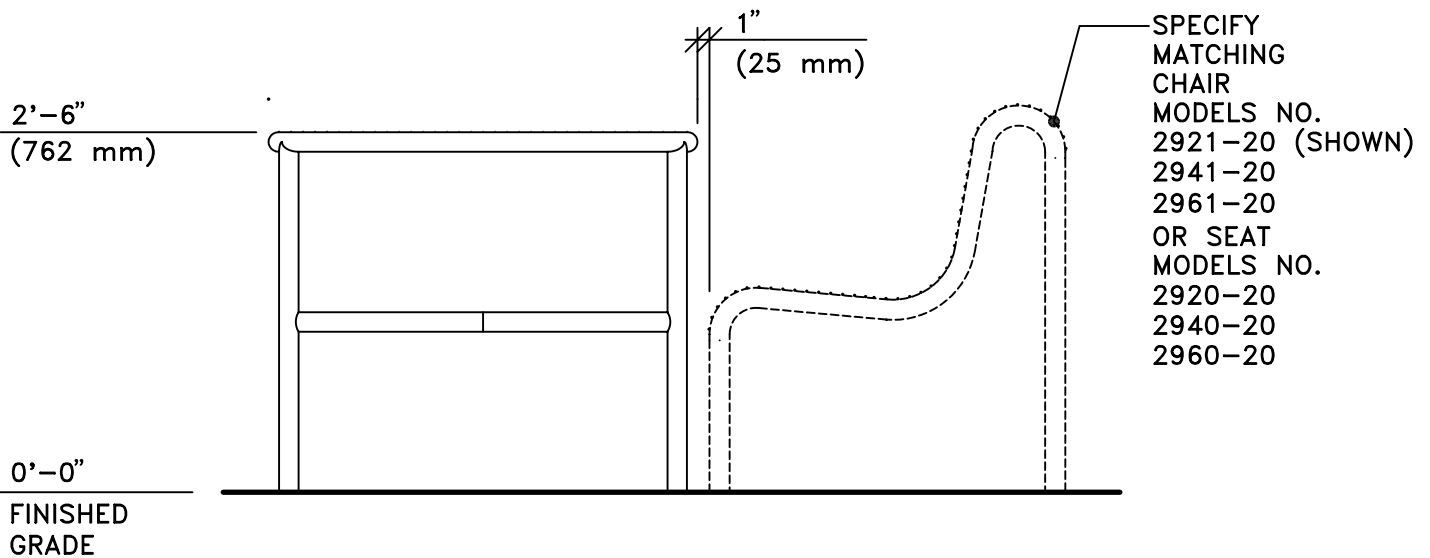
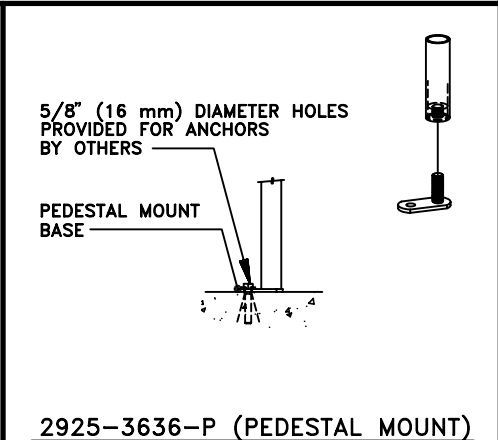
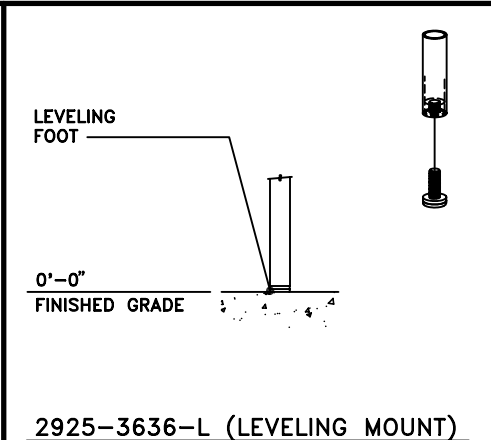
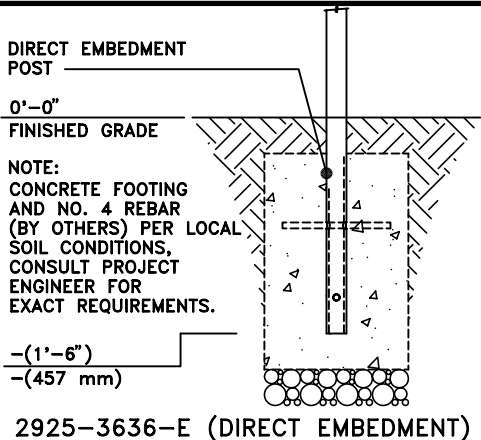


TOP VIEW



FRONT VIEW

SPECIFY NO. 2926 FOR OPTIONAL GAMEBOARD OR NO. 2927 FOR UMBRELLA HOLE.



This drawing reveals the copyrighted intellectual property of Columbia Cascade Company. Not for use by others without our express, written authorization.

Authorization for use is hereby granted to architects, landscape architects and similar design professionals solely for the purpose of specifying TimberForm products.

Scale: 3/4" = 1'-0"

Drawn by: AT 07-04-10

Ck'd by:

COLUMBIA CASCADE COMPANY

Makers of TimberForm®, PipeLine®, RePlay®, TimberForm®-2, InterPlay®, CycLoops® and CycLocker® Products.

1300 S.W. Sixth Avenue, Suite 310 Telephone 503/223-1157
Portland, Oregon 97201-3464 Facsimile 503/223-4530
U.S.A.

WWW.TIMBERFORM.COM

Title:
TIMBERFORM PROFILE TABLES
MODEL NO. 2925-3636
SQUARE TABLE WITH FOUR LEGS

Drawing No. W-2925-3636

Sheet 1 of 1