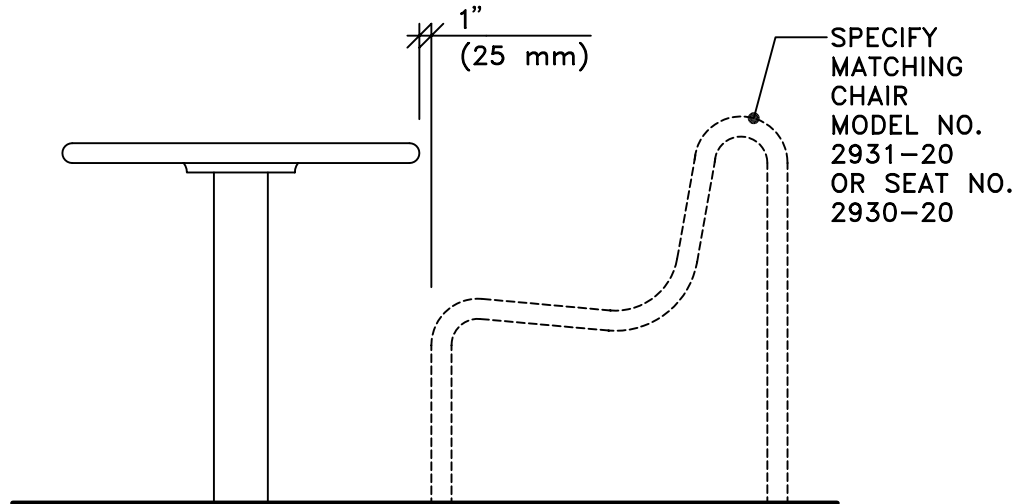


TOP VIEW

2'-6"
(762 mm)

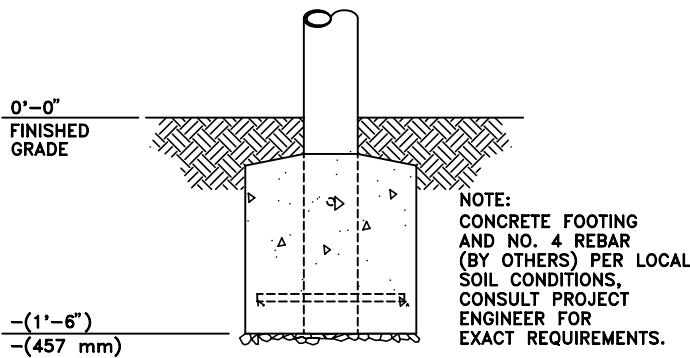


SPECIFY
MATCHING
CHAIR
MODEL NO.
2931-20
OR SEAT NO.
2930-20

0'-0"
FINISHED GRADE

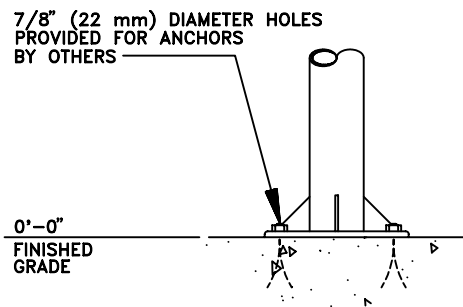
FRONT VIEW

SPECIFY NO. 2933 FOR OPTIONAL GAMEBOARD OR NO. 2934 FOR UMBRELLA HOLE.



NOTE:
CONCRETE FOOTING
AND NO. 4 REBAR
(BY OTHERS) PER LOCAL
SOIL CONDITIONS,
CONSULT PROJECT
ENGINEER FOR
EXACT REQUIREMENTS.

2932-3030-E (DIRECT EMBEDMENT)



7/8" (22 mm) DIAMETER HOLES
PROVIDED FOR ANCHORS
BY OTHERS

0'-0"
FINISHED
GRADE

2932-3030-P (PEDESTAL MOUNT)

This drawing reveals the copyrighted intellectual property of Columbia Cascade Company. Not for use by others without our express, written authorization.

Authorization for use is hereby granted to architects, landscape architects and similar design professionals solely for the purpose of specifying TimberForm products.



COLUMBIA CASCADE COMPANY

Makers of TimberForm®, PipeLine®, RePlay®, TimberForm®-2, InterPlay®, CycLoops® and CycLocker® Products.

1300 S.W. Sixth Avenue, Suite 310 Telephone 503/223-1157
Portland, Oregon 97201-3464 Facsimile 503/223-4530
U.S.A.

WWW.TIMBERFORM.COM

Title:
TIMBERFORM BOULEVARD TABLES
MODEL NO. 2932-3030
SQUARE TABLE WITH CENTER SUPPORT



Scale
3/4" = 1'-0"

Drawn by: AT 07-04-10
Ck'd by:

Drawing No.
W-2932-3030

Sheet
1 of 1