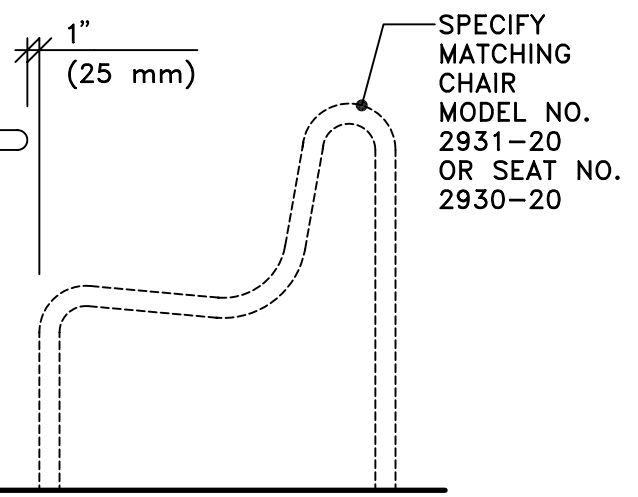


TOP VIEW

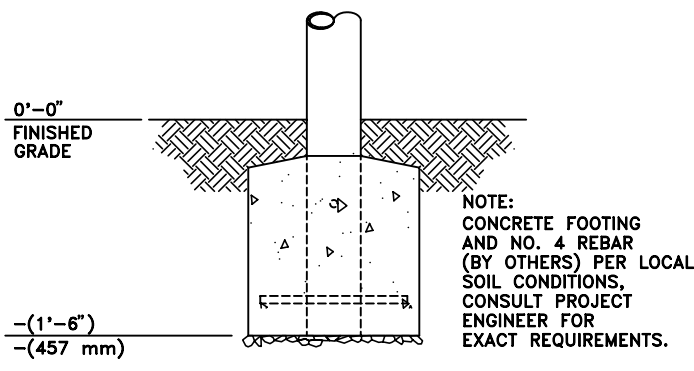
2'-6"  
(762 mm)



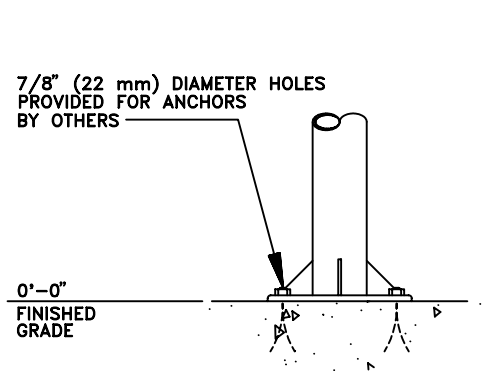
0'-0"  
FINISHED GRADE

FRONT VIEW

SPECIFY NO. 2933 FOR OPTIONAL GAMEBOARD OR NO. 2934 FOR UMBRELLA HOLE.



2932-4444-E (DIRECT EMBEDMENT)



2932-4444-P (PEDESTAL MOUNT)

This drawing reveals the copyrighted intellectual property of Columbia Cascade Company. Not for use by others without our express, written authorization.  
Authorization for use is hereby granted to architects, landscape architects and similar design professionals solely for the purpose of specifying TimberForm products.

**COLUMBIA CASCADE COMPANY**  
Makers of TimberForm®, PipeLine®, RePlay®, TimberForm®-2, InterPlay®, CycLoops® and CycLocker® Products.

Title:  
**TIMBERFORM BOULEVARD TABLES  
MODEL NO. 2932-4444  
ACCESSIBLE SQUARE TABLE  
WITH CENTER SUPPORT**

Scale: 3/4" = 1'-0"  
Drawn by: AT 07-04-10  
Ck'd by:

1300 S.W. Sixth Avenue, Suite 310 Telephone 503/223-1157  
Portland, Oregon 97201-3464 Facsimile 503/223-4530  
U.S.A.  
WWW.TIMBERFORM.COM

Drawing No. W-2932-4444  
Sheet 1 of 1