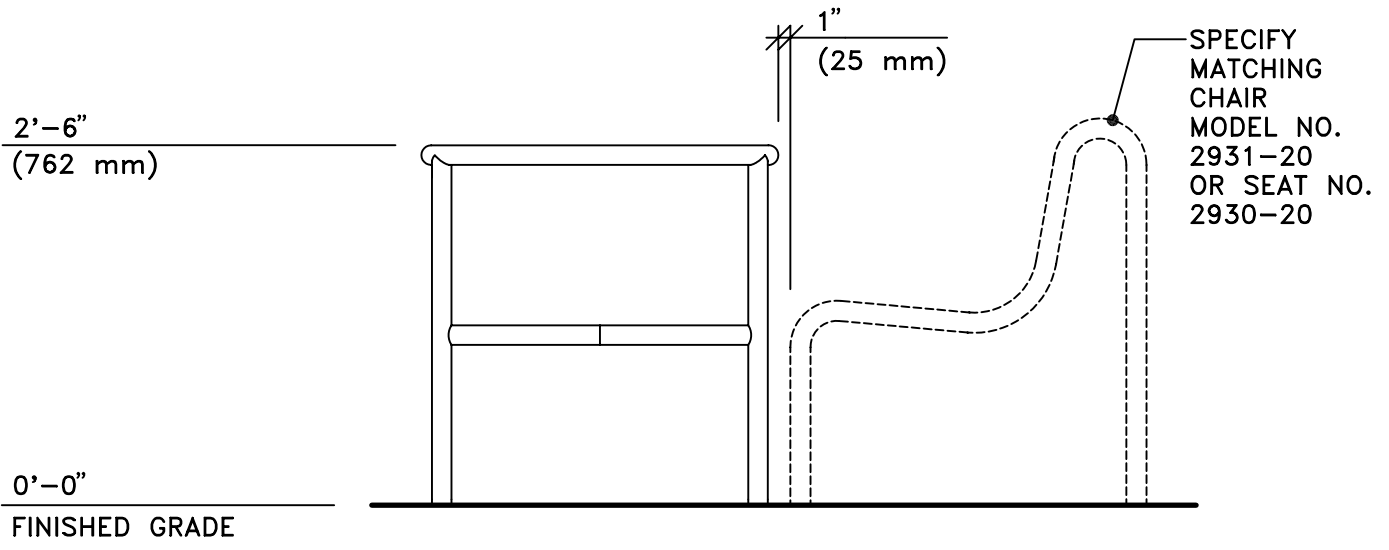
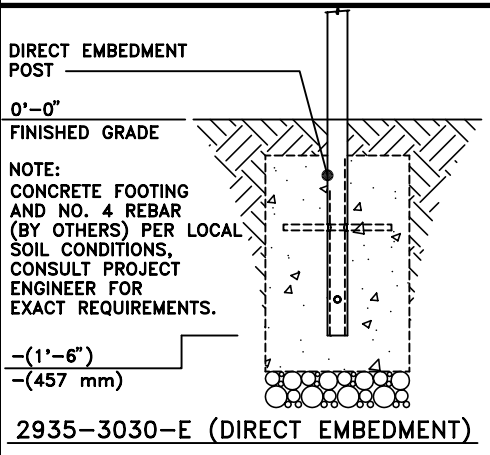


TOP VIEW

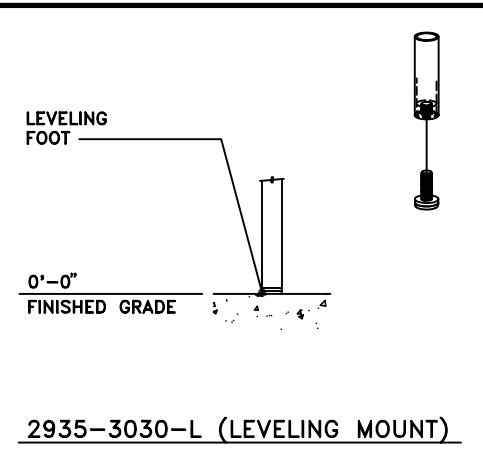


FRONT VIEW

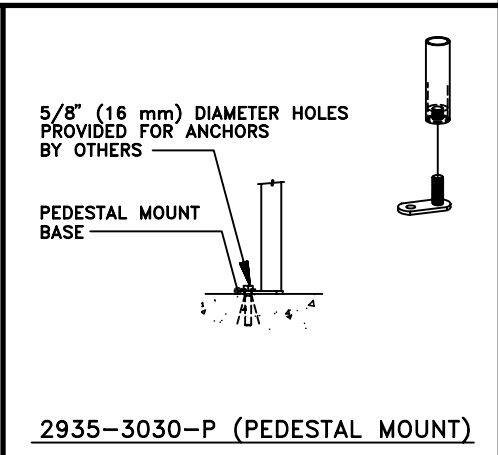
SPECIFY NO. 2936 FOR OPTIONAL GAMEBOARD OR NO. 2937 FOR UMBRELLA HOLE.



2935-3030-E (DIRECT EMBEDMENT)



2935-3030-L (LEVELING MOUNT)



2935-3030-P (PEDESTAL MOUNT)

This drawing reveals the copyrighted intellectual property of Columbia Cascade Company. Not for use by others without our express, written authorization.
 Authorization for use is hereby granted to architects, landscape architects and similar design professionals solely for the purpose of specifying TimberForm products.

Scale: 3/4" = 1'-0"
 Drawn by: AT 07-04-10
 Ck'd by:

COLUMBIA CASCADE COMPANY
 Makers of TimberForm®, PipeLine®, RePlay®, TimberForm®-2, InterPlay®, CycLoops® and CycLocker® Products.
 1300 S.W. Sixth Avenue, Suite 310 Telephone 503/223-1157
 Portland, Oregon 97201-3464 Facsimile 503/223-4530
 U.S.A.
 WWW.TIMBERFORM.COM

Title: **TIMBERFORM BOULEVARD TABLES**
MODEL NO. 2935-3030
SQUARE TABLE WITH FOUR LEGS

Drawing No. **W-2935-3030**
 Sheet **1 of 1**