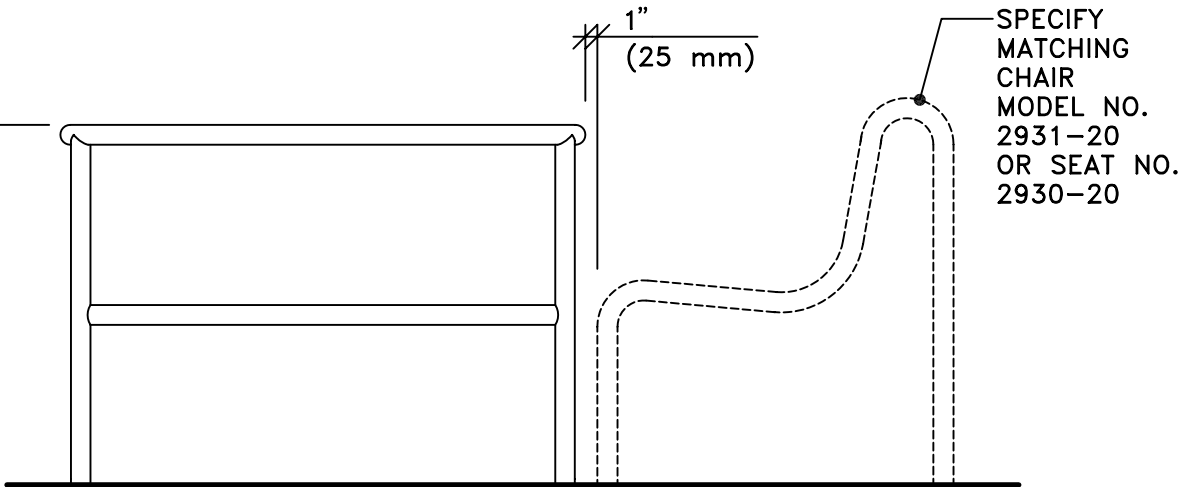


3'-7 3/4" TYPICAL  
(1111 mm)

TOP VIEW

2'-6"  
(762 mm)



0'-0"

FINISHED GRADE

FRONT VIEW

SPECIFY NO. 2936 FOR OPTIONAL GAMEBOARD OR NO. 2937 FOR UMBRELLA HOLE.

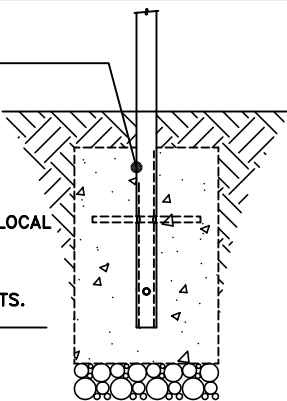
SPECIFY MATCHING CHAIR MODEL NO. 2931-20 OR SEAT NO. 2930-20

DIRECT EMBEDMENT POST

0'-0"  
FINISHED GRADE

NOTE:  
CONCRETE FOOTING AND NO. 4 REBAR (BY OTHERS) PER LOCAL SOIL CONDITIONS, CONSULT PROJECT ENGINEER FOR EXACT REQUIREMENTS.

-1'-6"  
-(457 mm)

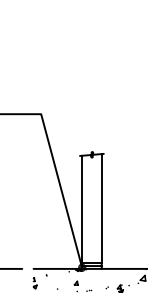


2935-4444-E (DIRECT EMBEDMENT)

LEVELING FOOT

0'-0"  
FINISHED GRADE

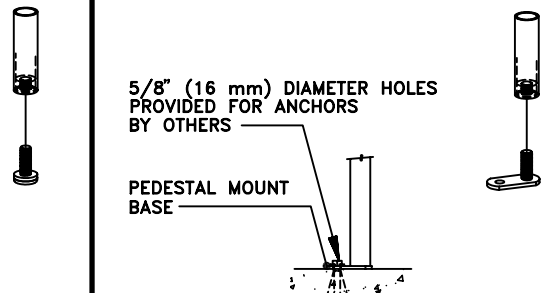
2935-4444-L (LEVELING MOUNT)



5/8" (16 mm) DIAMETER HOLES PROVIDED FOR ANCHORS BY OTHERS

PEDESTAL MOUNT BASE

2935-4444-P (PEDESTAL MOUNT)



This drawing reveals the copyrighted intellectual property of Columbia Cascade Company. Not for use by others without our express, written authorization.

Authorization for use is hereby granted to architects, landscape architects and similar design professionals solely for the purpose of specifying TimberForm products.



COLUMBIA CASCADE COMPANY

Makers of TimberForm®, PipeLine®, RePlay®, TimberForm®-2, InterPlay®, CycLoops® and CycLocker® Products.

1300 S.W. Sixth Avenue, Suite 310 Telephone 503/223-1157  
Portland, Oregon 97201-3464 Facsimile 503/223-4530  
U.S.A.

WWW.TIMBERFORM.COM

Title:  
TIMBERFORM BOULEVARD TABLES  
MODEL NO. 2935-4444  
SQUARE TABLE WITH FOUR LEGS



Scale  
3/4" = 1'-0"

Drawn by: AT 07-04-10  
Ck'd by:

Drawing No.  
W-2935-4444

Sheet  
1 of 1