

TOP VIEW

2'-6"  
(762 mm)

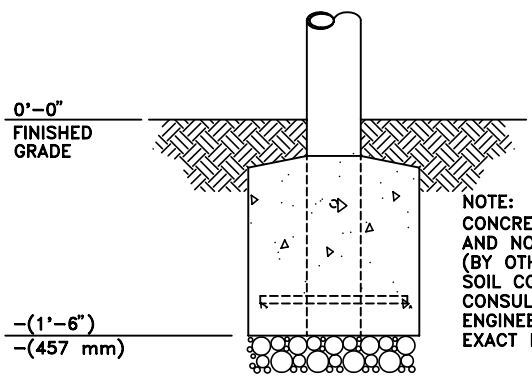
1"  
(25 mm)

SPECIFY MATCHING CHAIR MODELS NO. 2921-20 2941-20 (SHOWN) 2961-20 OR SEAT MODELS NO. 2920-20 2940-20 2960-20

0'-0"  
FINISHED GRADE

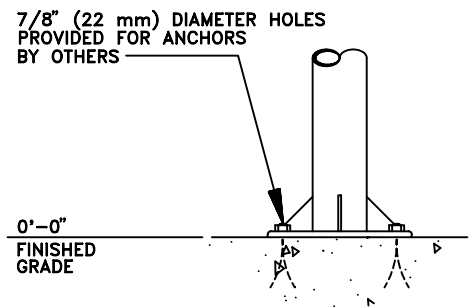
FRONT VIEW

SPECIFY NO. 2943 FOR OPTIONAL GAMEBOARD OR NO. 2944 FOR UMBRELLA HOLE.



NOTE: CONCRETE FOOTING AND NO. 4 REBAR (BY OTHERS) PER LOCAL SOIL CONDITIONS, CONSULT PROJECT ENGINEER FOR EXACT REQUIREMENTS.

2942-4444-E (DIRECT EMBEDMENT)



2942-4444-P (PEDESTAL MOUNT)

This drawing reveals the copyrighted intellectual property of Columbia Cascade Company. Not for use by others without our express, written authorization.  
Authorization for use is hereby granted to architects, landscape architects and similar design professionals solely for the purpose of specifying TimberForm products.

**COLUMBIA CASCADE COMPANY**  
Makers of TimberForm®, PipeLine®, RePlay®, TimberForm®-2, InterPlay®, CycLoops® and CycLocker® Products.

Title: **TIMBERFORM PROFILE TABLES**  
MODEL NO. 2942-4444  
**ACCESSIBLE SQUARE TABLE WITH CENTER SUPPORT**

Scale	Drawn by: AT	07-04-10
3/4" = 1'-0"	Ck'd by:	

1300 S.W. Sixth Avenue, Suite 310 Telephone 503/223-1157  
Portland, Oregon 97201-3464 Facsimile 503/223-4530 U.S.A.  
WWW.TIMBERFORM.COM

Drawing No.	Sheet
W-2942-4444	1 of 1