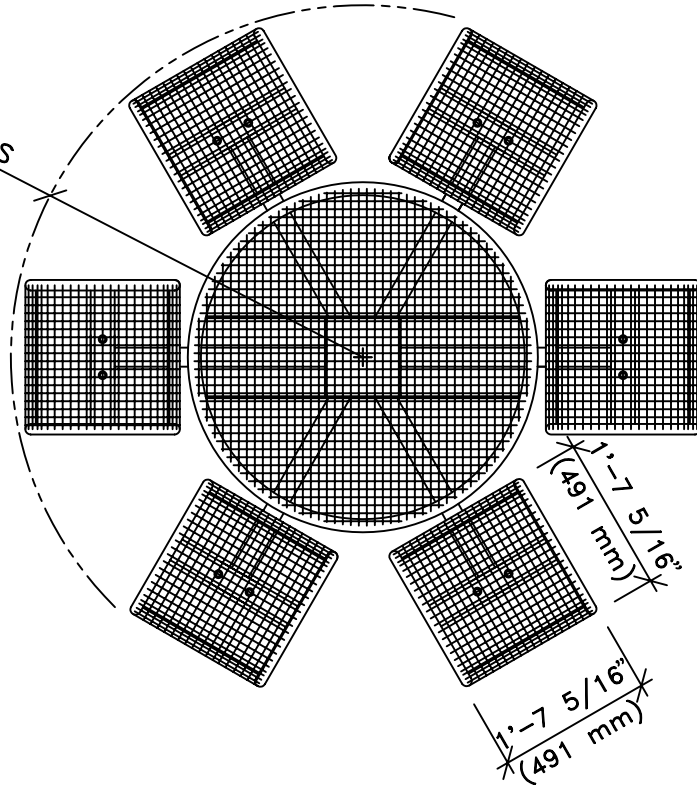


3'-8" CLEAR RADIUS  
(1118 mm)

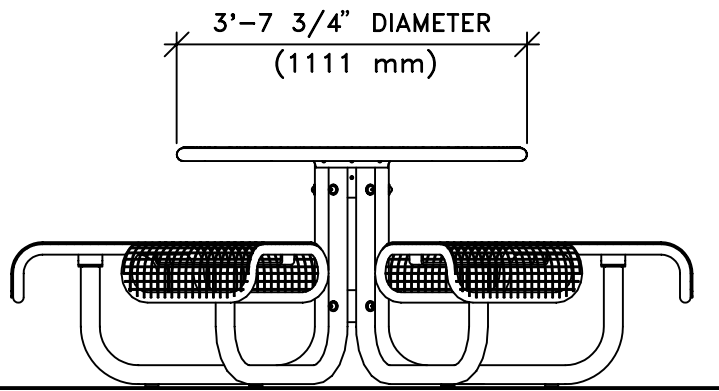


TOP VIEW

2'-6"  
(762 mm)

1'-6"  
(457 mm)

0'-0"  
FINISHED GRADE



FRONT VIEW

This drawing reveals the copyrighted intellectual property of Columbia Cascade Company. Not for use by others without our express, written authorization.  
Authorization for use is hereby granted to architects, landscape architects and similar design professionals solely for the purpose of specifying TimberForm products.



**COLUMBIA CASCADE COMPANY**  
Makers of TimberForm®, PipeLine®, RePlay®, TimberForm®-2, InterPlay®, CycLoops® and CycLocker® Products.

Title:  
**TIMBERFORM PROFILE**  
**MODEL NO. 2973-6**  
**INTEGRAL TABLE WITH SIX SEATS**

12-03-10 DIMENSION DS/CL

1300 S.W. Sixth Avenue, Suite 310 Telephone 503/223-1157  
Portland, Oregon 97201-3464 Facsimile 503/223-4530  
U.S.A.

Scale 1/2"=1'-0" Drawn by: AT 07-04-10 Ck'd by:

WWW.TIMBERFORM.COM

Drawing No. W-2973-6

Sheet 1 of 1