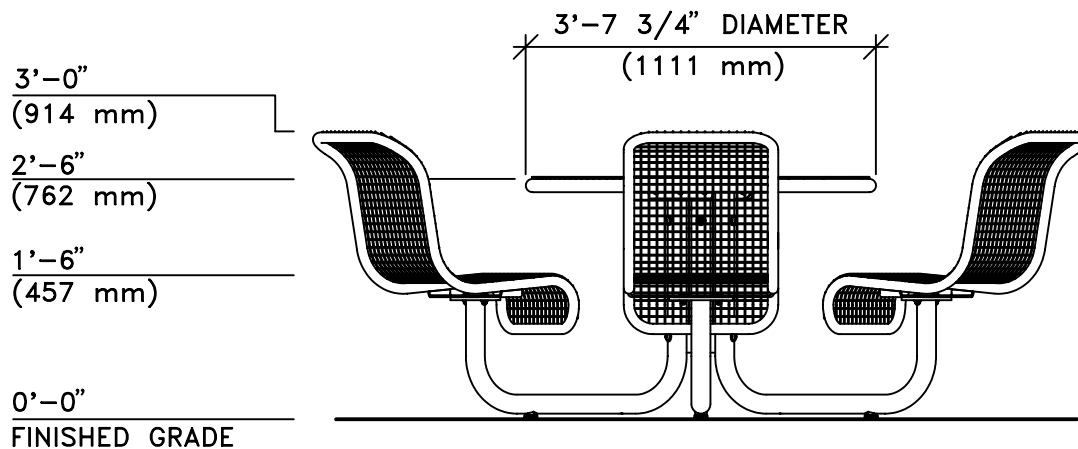


TOP VIEW



FRONT VIEW

This drawing reveals the copyrighted intellectual property of Columbia Cascade Company. Not for use by others without our express, written authorization.
 Authorization for use is hereby granted to architects, landscape architects and similar design professionals solely for the purpose of specifying TimberForm products.



COLUMBIA CASCADE COMPANY
 Makers of TimberForm®, PipeLine®, RePlay®, TimberForm®-2, InterPlay®, CycLoops® and CycLocker® Products.

Title:
TIMBERFORM PROFILE
MODEL NO. 2973-61
INTEGRAL TABLE WITH SIX CHAIRS

12-03-10 DIMENSIONS DS/CL

1300 S.W. Sixth Avenue, Suite 310 Telephone 503/223-1157
 Portland, Oregon 97201-3464 Facsimile 503/223-4530
 U.S.A.

Scale 1/2"=1'-0" Drawn by: AT 07-04-10
 Ck'd by:

WWW.TIMBERFORM.COM

Drawing No.
W-2973-61

Sheet
1 of 1