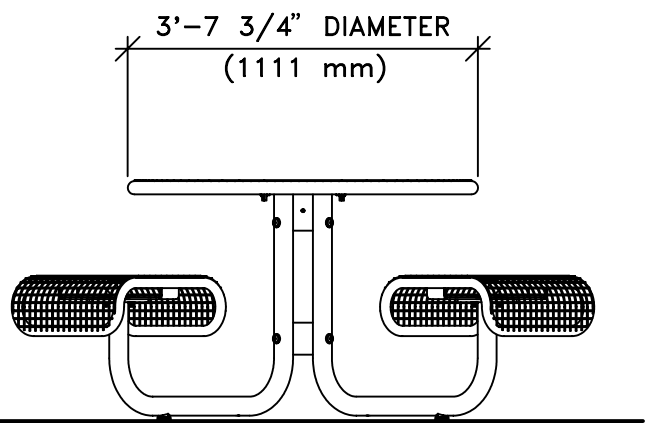


TOP VIEW



2'-6"
(762 mm)

1'-6"
(457 mm)

0'-0"
FINISHED GRADE

FRONT VIEW

This drawing reveals the copyrighted intellectual property of Columbia Cascade Company. Not for use by others without our express, written authorization.
 Authorization for use is hereby granted to architects, landscape architects and similar design professionals solely for the purpose of specifying TimberForm products.

COLUMBIA CASCADE COMPANY
 Makers of TimberForm®, PipeLine®, RePlay®, TimberForm®-2, InterPlay®, CycLoops® and CycLocker® Products.

Title:
TIMBERFORM PROFILE
MODEL NO. 2978-4
INTEGRAL TABLE WITH FOUR SEATS

12-03-10	DIMENSION	DS/CL
Scale	Drawn by: AT	07-04-10
1/2"=1'-0"	Ck'd by:	

1300 S.W. Sixth Avenue, Suite 310 Telephone 503/223-1157
 Portland, Oregon 97201-3464 Facsimile 503/223-4530
 U.S.A.
 WWW.TIMBERFORM.COM

Drawing No.	Sheet
W-2978-4	1 of 1