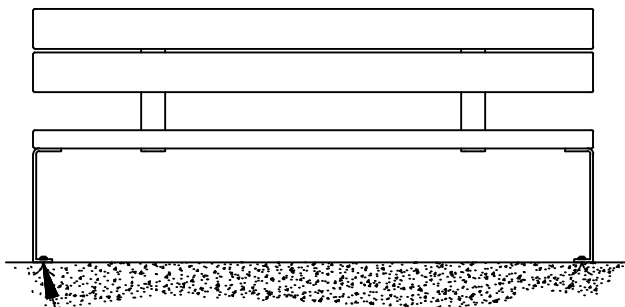
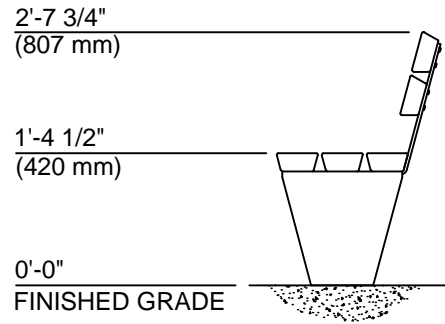


TOP VIEW



5/8" (16 mm) DIA. HOLES PROVIDED FOR ANCHORS BY OTHERS (TYPICAL-4)

FRONT VIEW



END VIEW

AVAILABLE IN 6' (SHOWN) AND 8' NOMINAL LENGTHS.  
OTHER LENGTHS AVAILABLE UPON REQUEST.

Date	Revision	By
△		
△		
△		
△	04-19-13 UPDATE	CL
Scale	Drawn by: CL	04-11-13
1/2" = 1'-0"	Ch'd by:	

**COLUMBIA CASCADE COMPANY**  
 Makers of TimberForm®, PipeLine®, RePlay®,  
 TimberForm®-2 and CycLoops® Products.

1300 S.W. Sixth Avenue, Suite 310 Telephone 503/223-1157  
 Portland, Oregon 97201-3464 Facsimile 503/223-4530  
 U.S.A.

This drawing reveals the copyrighted intellectual property of Columbia Cascade Company. Not for use by others without our express, written authorization.

Title: <b>TIMBERFORM DILLER                  MODEL NO. 2011-6                  BENCH</b>	
Drawing No. <b>W-2011-6</b>	Sheet <b>1 of 1</b>