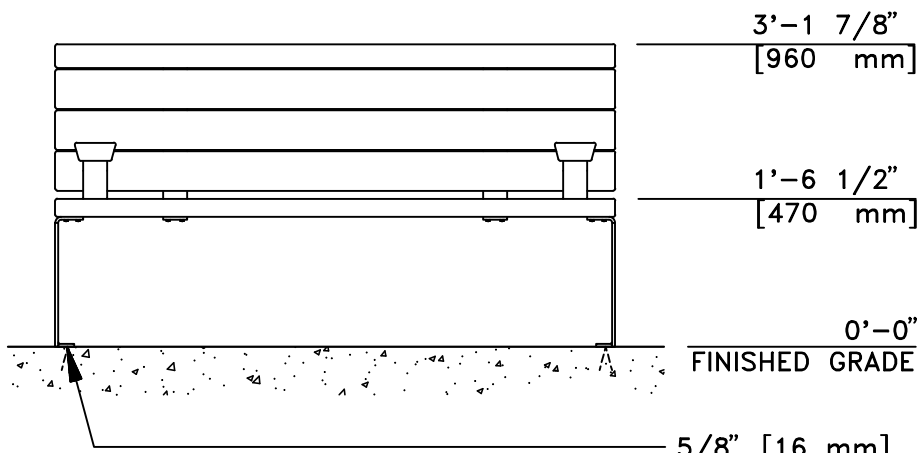
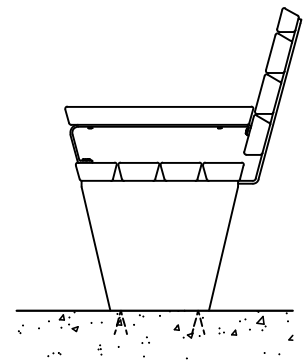


TOP VIEW



FRONT VIEW



END VIEW

AVAILABLE IN 6' (SHOWN AND 8' NOMINAL LENGTHS.
OTHER LENGTHS AVAILABLE UPON REQUEST.

5/8" [16 mm]
DIAMETER HOLES
PROVIDED FOR
ANCHORS, BY
OTHERS.
(TYPICAL-4)

Date	Revision	By
△		
△		
△		
△	12-16-22 BENCH HEIGHT	AC/SK
Scale	Drawn by: BE	06-09-21
1/2" = 1'-0"	Ck'd by: SK	06-09-21

COLUMBIA CASCADE COMPANY
 Makers of TimberForm®, PipeLine®, RePlay®
 TimberForm®-2 and CycLoops® Products.
www.TimberForm.com
 Phone: 503/223-1157 Email: HQ@TimberForm.com

Title:
TIMBERFORM DILLER
MODEL NO. 2013-6-ADA
ACCESSIBLE BENCH WITH ARMRESTS

Drawing No.
W-2013-6-ADA

Sheet
1 of 1

This drawing reveals the copyrighted intellectual property of Columbia Cascade Company. Not for use by others without our express, written authorization.