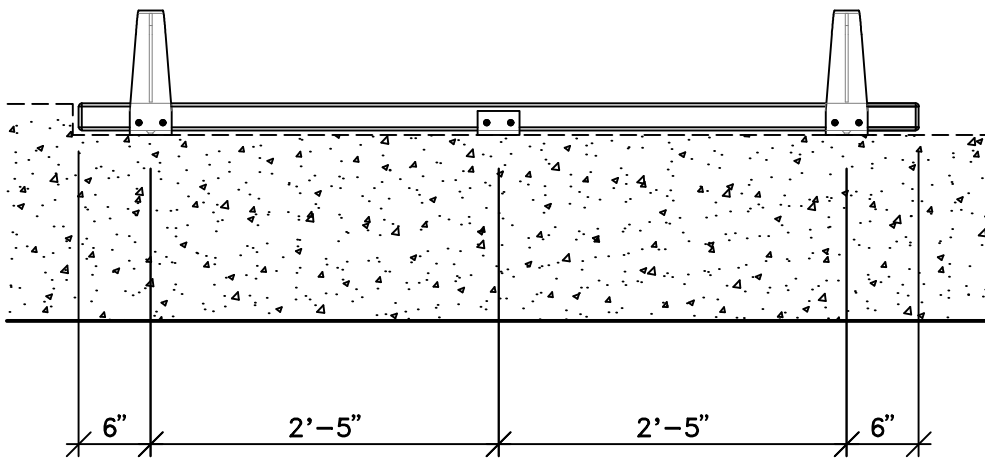
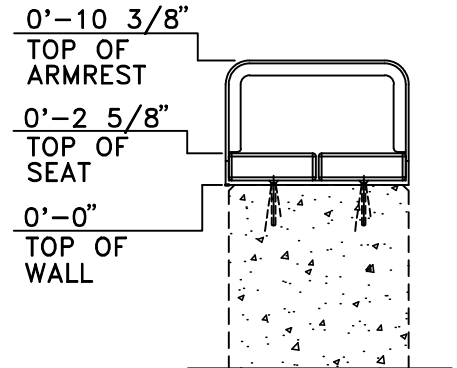


TOP VIEW
SCALE: 3/4"=1'-0"



FRONT VIEW
SCALE: 3/4"=1'-0"



GRADE

NOTE:
CONCRETE WALL AND ANCHORS
BY OTHERS) PER LOCAL CONDITIONS.
CONSULT PROJECT ENGINEER FOR
EXACT REQUIREMENTS.

END VIEW
SCALE: 3/4"=1'-0"

AVAILABLE IN 6' (SHOWN) LENGTH.
OTHER LENGTHS AVAILABLE UPON
REQUEST.

This drawing reveals the copyrighted intellectual property of Columbia Cascade Company. Not for use by others without our express, written authorization.
Authorization for use is hereby granted to architects, landscape architects and similar design professionals solely for the purpose of specifying TimberForm products.

Scale	Drawn by: AT	05-11-18
NOTED	Ck'd by: CL	05-11-18

COLUMBIA CASCADE COMPANY
Makers of TimberForm®, PipeLine®, RePlay®, TimberForm®-2, InterPlay®, CycLoops® and CycLocker® Products.
1300 S.W. Sixth Avenue, Suite 310 Telephone 503/223-1157
Portland, Oregon 97201-3464 Facsimile 503/223-4530
U.S.A.
WWW.TIMBERFORM.COM

Title:
**TIMBERFORM CENTRAL PARK
MODEL NO. 2033-6
WALL-TOP SEAT WITH ARMRESTS**

Drawing No.	Sheet
W-2033-6	1 of 1