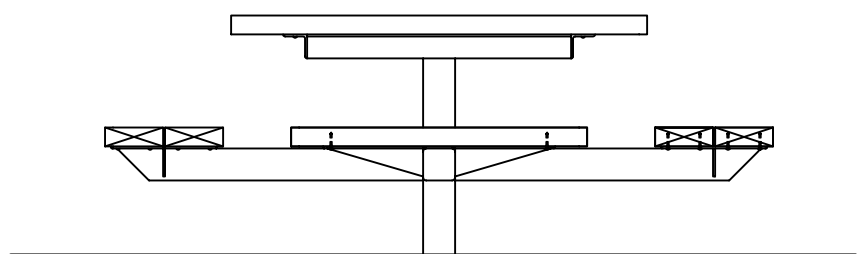


TOP VIEW
SCALE: 1/2"=1'-0"

2'-6"
(762 mm)

1'-4"
(406 mm)

0'-0"
FINISHED GRADE



FRONT VIEW
SCALE: 1/2"=1'-0"

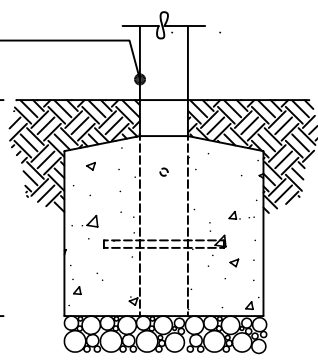
DIRECT EMBEDMENT POST

0'-0"
FINISHED GRADE

NOTE:
CONCRETE FOOTING AND NO. 4 REBAR (BY OTHERS) PER LOCAL SOIL CONDITIONS. CONSULT PROJECT ENGINEER FOR EXACT REQUIREMENTS.

-(1'-6")
-(457 mm)

2056-8484-E (DIRECT EMBEDMENT)
SCALE: 3/4"=1'-0"

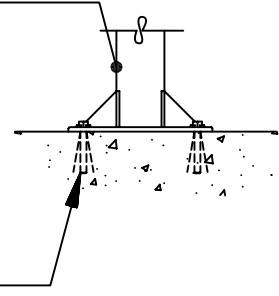


PEDESTAL MOUNT POST

0'-0"
FINISHED GRADE

7/8" (22 mm) DIAMETER HOLES PROVIDED IN FRAME FOR ANCHORING DEVICES BY OTHERS. (TYPICAL-4)

2056-8484-P (PEDESTAL MOUNT)
SCALE: 3/4"=1'-0"



This drawing reveals the copyrighted intellectual property of Columbia Cascade Company. Not for use by others without our express, written authorization.
Authorization for use is hereby granted to architects, landscape architects and similar design professionals solely for the purpose of specifying TimberForm products.

COLUMBIA CASCADE COMPANY
Makers of TimberForm®, PipeLine®, RePlay®, TimberForm®-2, InterPlay®, CycLoops® and CycLocker® Products.
1300 S.W. Sixth Avenue, Suite 310 Telephone 503/223-1157
Portland, Oregon 97201-3464 Facsimile 503/223-4530
U.S.A.

Title:
TIMBERFORM PARKWAY TABLES
MODEL NO. 2056-8484
INTEGRAL TABLE WITH FOUR SEATS

Scale NOTED
Drawn by: CL 07-04-10
Ck'd by:

WWW.TIMBERFORM.COM

Drawing No. W-2056-8484
Sheet 1 of 1