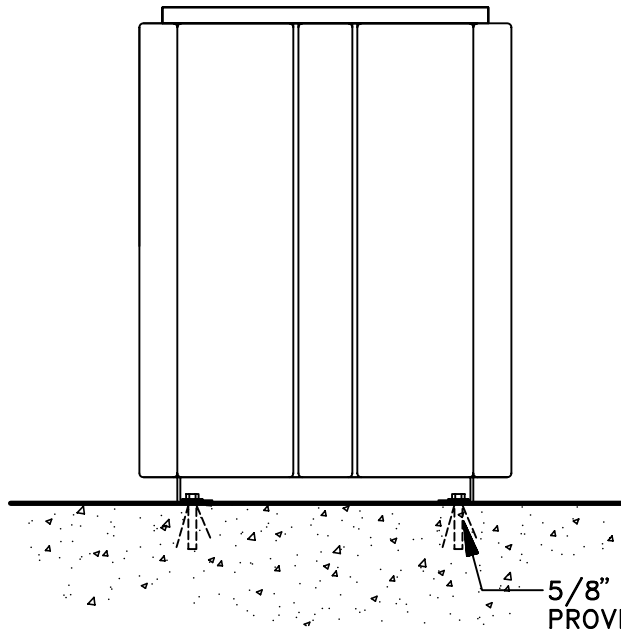


TOP VIEW

2'-7"
(787 mm)

2'-6"
(762 mm)



0'-0"
FINISHED GRADE

5/8" (16 mm) DIA. HOLES PROVIDED FOR ANCHORS BY OTHERS (TYPICAL-4)

FRONT VIEW

INCLUDES 36-GALLON RECYCLED PLASTIC LINER.

of Columbia Cascade Company. Not for use without our express, written authorization. Authorization for use is hereby granted to architects, landscape architects and similar design professionals imberForm products.



COLUMBIA CASCADE COMPANY
Makers of TimberForm®, PipeLine®, RePlay®, TimberForm®-2, InterPlay®, CycLoops® and CycLocker® Products.

Title:
**TIMBERFORM PARKWAY
MODEL NO. 2086-FT
LITTER CONTAINER
WITH FLAT TOP**

1300 S.W. Sixth Avenue, Suite 310 Telephone 503/223-1157
Portland, Oregon 97201-3464 Facsimile 503/223-4530
U.S.A.

WWW.TIMBERFORM.COM

Drawing No.
W-2086-FT

Sheet
1 of 1



Scale
1"=1'-0"

Drawn by: AT 07-04-10
Ck'd by: