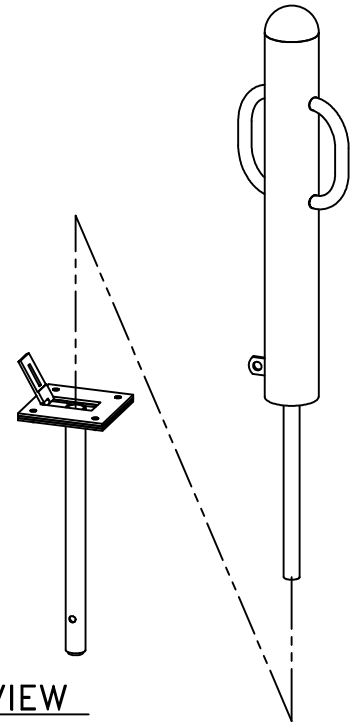


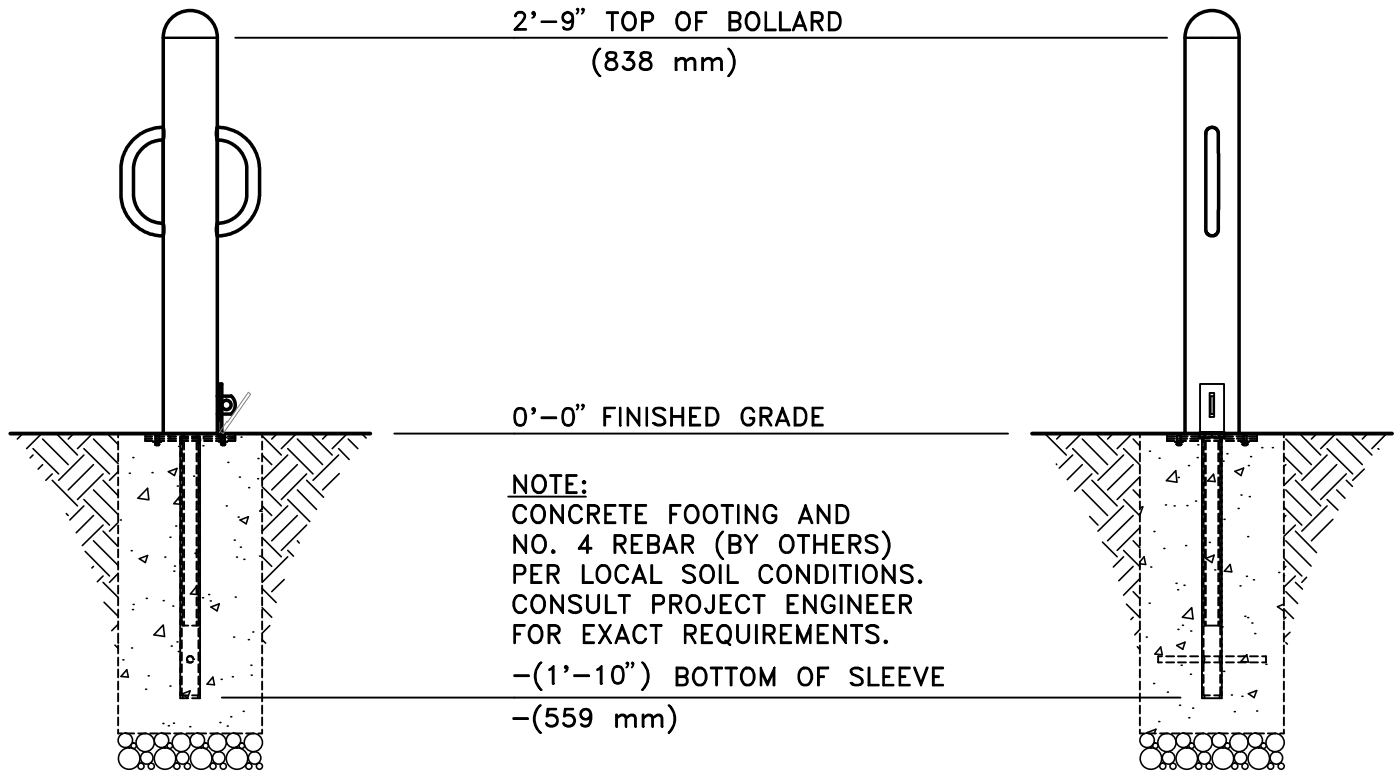
TOP VIEW

SCALE: 3/4" = 1'-0"



ISOMETRIC VIEW

SCALE: NONE



FRONT VIEW

SCALE: 3/4" = 1'-0"

SIDE VIEW

SCALE: 3/4" = 1'-0"

Date	Revision	By
△		
△		
△		
△		
Scale NOTED	Drawn by: CL Ck'd by:	02-11-13

**COLUMBIA CASCADE COMPANY**  
 Makers of TimberForm®, PipeLine®, RePlay®,  
 TimberForm®-2 and CycLoops® Products.

1300 S.W. Sixth Avenue, Suite 310 Telephone 503/223-1157  
 Portland, Oregon 97201-3464 Facsimile 503/223-4530  
 U.S.A.

Title:  
**TIMBERFORM METAL BOLLARDS**  
 MODEL NO. 2172-03-RH  
 REMOVABLE BOLLARD  
 WITH HASP/HOLE COVER  
 AND TWO LOOPS

This drawing reveals the copyrighted intellectual property of Columbia Cascade Company. Not for use by others without our express, written authorization.

Drawing No.  
**W-2172-03-RH**

Sheet  
**1 of 1**