

PLAN VIEW

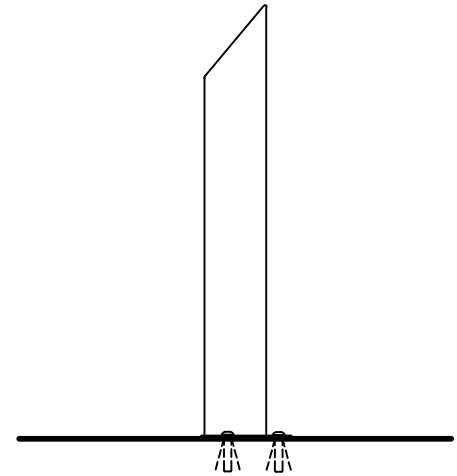
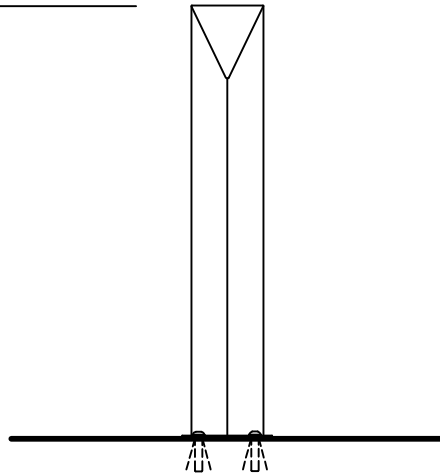
3'-0"

TOP OF POST

0'-0"

FINISHED GRADE

FRONT VIEW



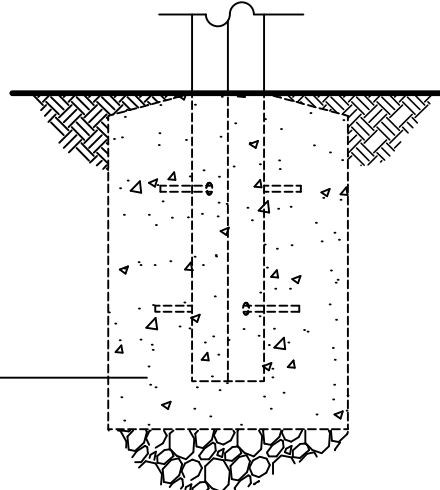
SIDE VIEW

0'-0"

FINISHED GRADE

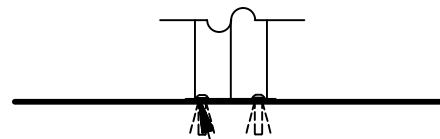
-(2'-0")

BOTTOM OF POST



NOTE: CONCRETE AND NO. 4 REBAR BY OTHERS PER LOCAL SOIL CONDITIONS. CONSULT PROJECT ENGINEER FOR EXACT REQUIREMENTS.

2190-03-E (EMBEDMENT)



5/8" (16 mm) DIAMETER HOLES PROVIDED FOR ANCHORS BY OTHERS (TYPICAL-3)

2190-03-SM (SURFACE MOUNT)

Date	Revision	By
△		
△		
△		
△	03-26-13 UPDATE DIMS.	CL
Scale	Drawn by: CL	03-05-13
3/4" = 1'-0"	Ch'd by:	

COLUMBIA CASCADE COMPANY
 Makers of TimberForm®, PipeLine®, RePlay®, TimberForm®-2 and CycLoops® Products.
 1300 S.W. Sixth Avenue, Suite 310 Telephone 503/223-1157
 Portland, Oregon 97201-3464 Facsimile 503/223-4530 U.S.A.
 This drawing reveals the copyrighted intellectual property of Columbia Cascade Company. Not for use by others without our express, written authorization.

Title: TIMBERFORM METAL BOLLARDS MODEL NO. 2190-03 TRIANGULAR METAL BOLLARD	
Drawing No. W-2190-03	Sheet 1 of 1