

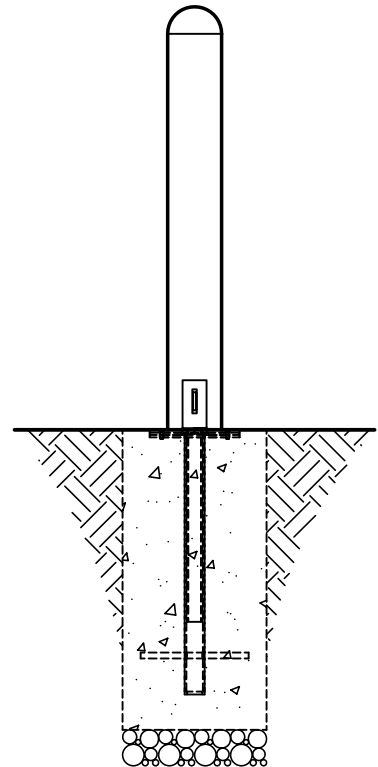
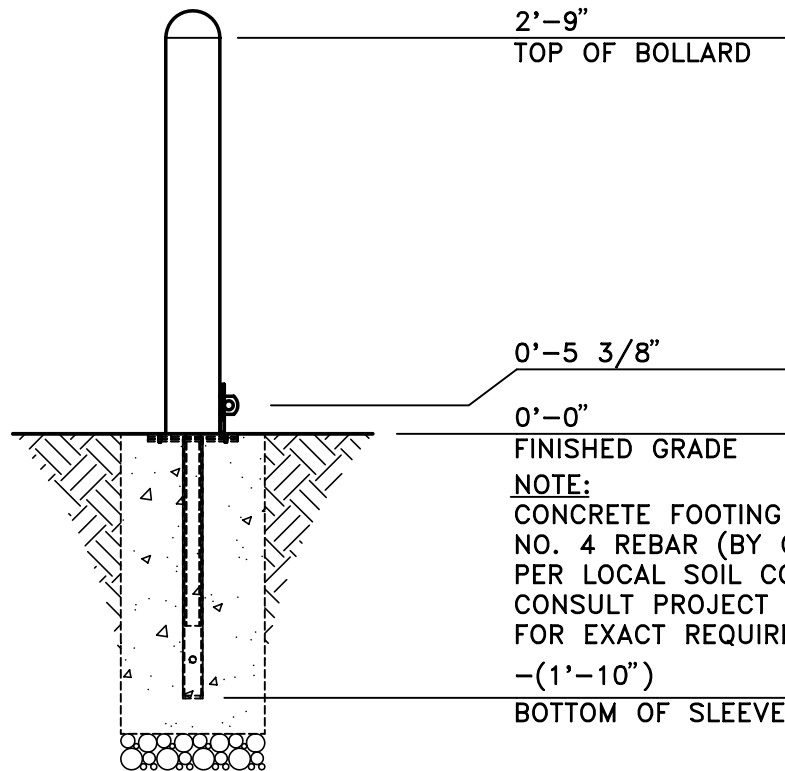
POST WITH DOME TOP
ASSEMBLY

HINGED
HASP/HOLE COVER

EMBEDMENT SLEEVE
ASSEMBLY

ISOMETRIC
SCALE: NONE

TOP
SCALE: 3/4" = 1'-0"



SIDE
SCALE: 3/4" = 1'-0"

BACK
SCALE: 3/4" = 1'-0"

Date	Revision	By
△		
△		
△		
△		
Scale NOTED	Drawn by: CL Ck'd by:	07-04-10

COLUMBIA CASCADE COMPANY
 Makers of TimberForm®, PipeLine®, RePlay®
 TimberForm®-2 and CycLoops® Products.
 1300 S.W. Sixth Avenue, Suite 310 Telephone 503/223-1157
 Portland, Oregon 97201-3464 Facsimile 503/223-4530
 U.S.A.
 This drawing reveals the copyrighted intellectual
 property of Columbia Cascade Company. Not for use
 by others without our express, written authorization.

Title:
TIMBERFORM METAL BOLLARDS
MODEL NO. 2190-RH
REMOVABLE BOLLARD
WITH HASP/HOLE COVER
 Drawing No.
W-2190-RH
 Sheet
1 of 1