

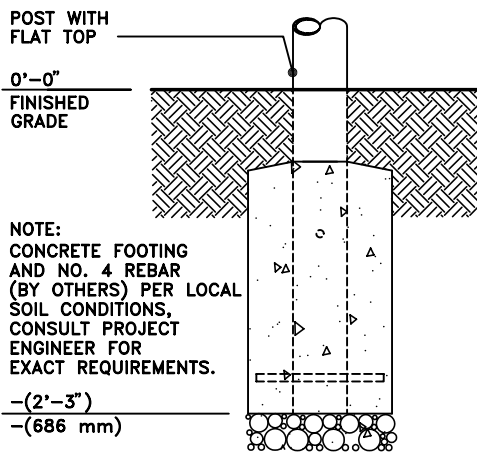
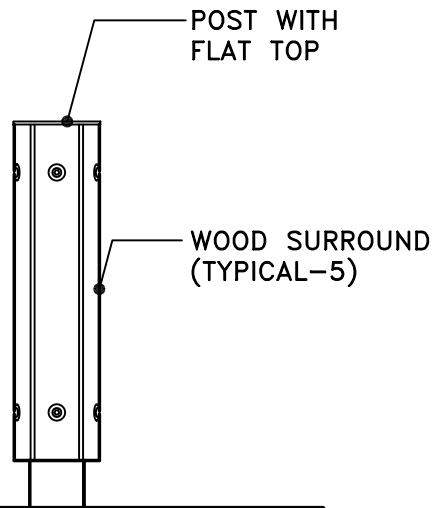
TOP VIEW

2'-8 1/4"  
(819 mm)

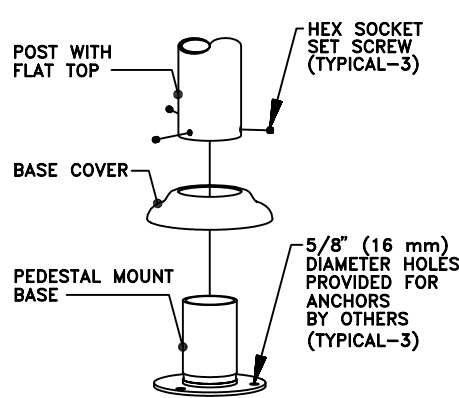
0'-0"

FINISHED GRADE

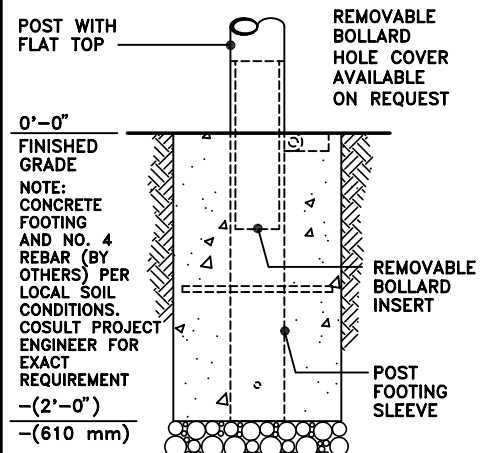
FRONT VIEW



2192-E (EMBEDMENT MOUNTING)



2192-P (PEDESTAL MOUNTING)



2192-R (REMOVABLE MOUNTING)

This drawing reveals the copyrighted intellectual property of Columbia Cascade Company. Not for use by others without our express, written authorization.

Authorization for use is hereby granted to architects, landscape architects and similar design professionals solely for the purpose of specifying TimberForm products.

**COLUMBIA CASCADE COMPANY**  
Makers of TimberForm®, PipeLine®, RePlay®, TimberForm®-2, InterPlay®, CycLoops® and CycLocker® Products.

1300 S.W. Sixth Avenue, Suite 310 Telephone 503/223-1157  
Portland, Oregon 97201-3464 Facsimile 503/223-4530  
U.S.A.

Title:  
**TIMBERFORM**  
MODEL NO. 2192  
METAL BOLLARD WITH SURROUND



Scale 3/4" = 1'-0" Drawn by: AT 07-04-10  
Ck'd by:

WWW.TIMBERFORM.COM

Drawing No.  
W-2192

Sheet  
1 of 1