

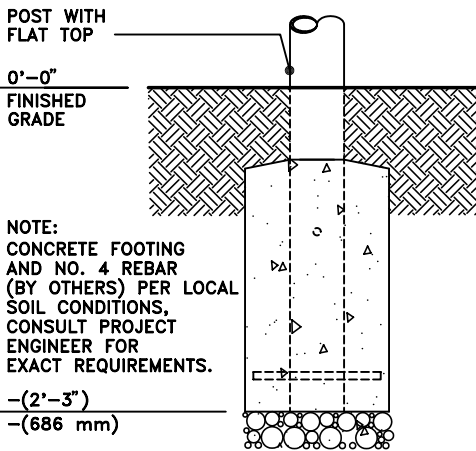
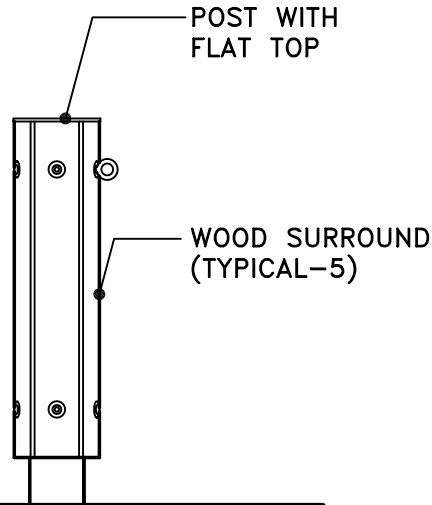
TOP VIEW

2'-8 1/4"
(819 mm)

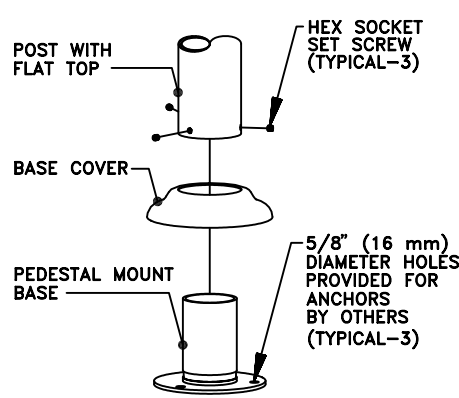
0'-0"

FINISHED GRADE

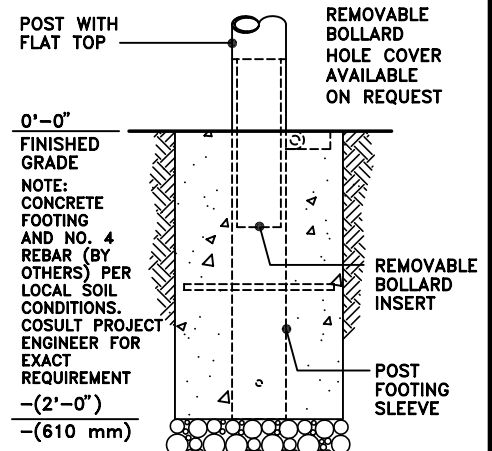
FRONT VIEW



2195-E (EMBEDMENT MOUNTING)



2195-P (PEDESTAL MOUNTING)



2195-R (REMOVABLE MOUNTING)

This drawing reveals the copyrighted intellectual property of Columbia Cascade Company. Not for use by others without our express, written authorization.
Authorization for use is hereby granted to architects, landscape architects and similar design professionals solely for the purpose of specifying TimberForm products.

COLUMBIA CASCADE COMPANY
Makers of TimberForm®, PipeLine®, RePlay®, TimberForm®-2, InterPlay®, CycLoops® and CycLocker® Products.

Title:
**TIMBERFORM
MODEL NO. 2195
METAL BOLLARD WITH SURROUND**

1300 S.W. Sixth Avenue, Suite 310 Telephone 503/223-1157
Portland, Oregon 97201-3464 Facsimile 503/223-4530
U.S.A.

WWW.TIMBERFORM.COM

Drawing No.
W-2195

Sheet
1 of 1

Scale
3/4" = 1'-0"

Drawn by: AT 07-04-10

Ck'd by: