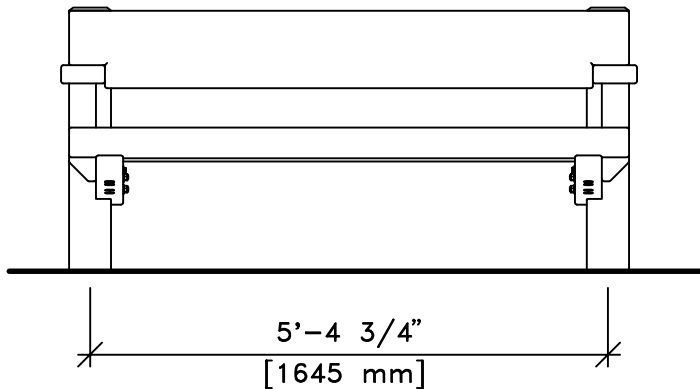
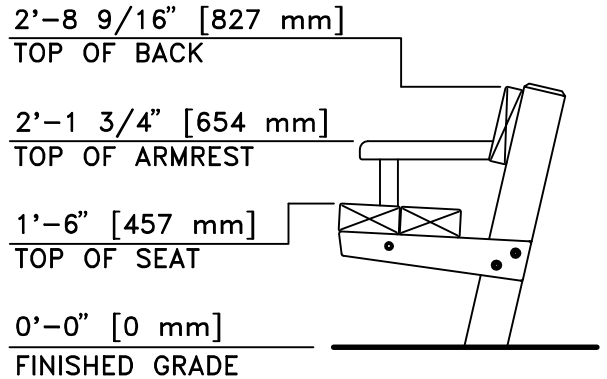


TOP VIEW



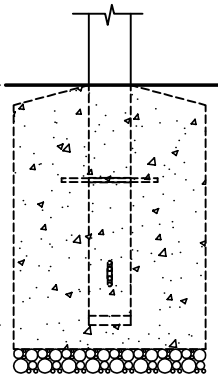
FRONT VIEW



END VIEW

AVAILABLE IN 6' (SHOWN), 8' NOMINAL LENGTHS.
OTHER LENGTHS AVAILABLE UPON REQUEST.

0'-0" [0 mm]
FINISHED GRADE

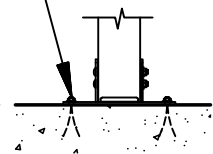


-(2'-6") [762 mm]
BOTTOM OF LEG

NOTE:
CONCRETE FOOTING
AND NO. 4 REBAR
(BY OTHERS) PER
LOCAL SOIL CONDITIONS.
CONSULT PROJECT
ENGINEER FOR EXACT
REQUIREMENTS.

2210-6-E (DIRECT EMBEDMENT)

9/16" DIAMETER HOLE
PROVIDED FOR ANCHORING
DEVICES BY OTHERS.
(TYPICAL-8, FOUR PER PLATE)



0'-0" [0 mm]
FINISHED GRADE

NOTE:
CONCRETE SLAB AND
ANCHORING DEVICES
(BY OTHERS) PER LOCAL
CONDITIONS. CONSULT
PROJECT ENGINEER FOR
EXACT REQUIREMENTS.

2210-6-P (PEDESTAL MOUNT)

This drawing reveals the copyrighted intellectual property of Columbia Cascade Company. Not for use by others without our express, written authorization.

Authorization for use is hereby granted to architects, landscape architects and similar design professionals solely for the purpose of specifying TimberForm products.



Scale 1/2" = 1'-0"
Drawn by: AT 05-03-17
Ck'd by: CL 05-03-17



COLUMBIA CASCADE COMPANY

Makers of TimberForm®, PipeLine®, RePlay®, TimberForm®-2, InterPlay®, CycLoops® and CycLocker® Products.

1300 S.W. Sixth Avenue, Suite 310 Telephone 503/223-1157
Portland, Oregon 97201-3464 Facsimile 503/223-4530
U.S.A.

WWW.TIMBERFORM.COM

Title:
TIMBERFORM ARBOR
MODEL NO. 2210-6
BENCH WITH ARMRESTS

Drawing No.
W-2210-6

Sheet
1 of 1