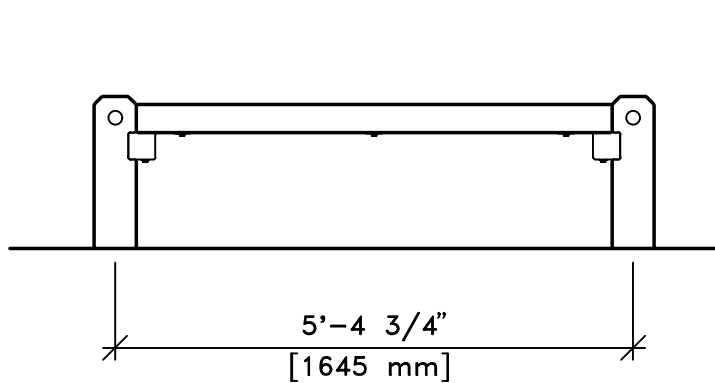
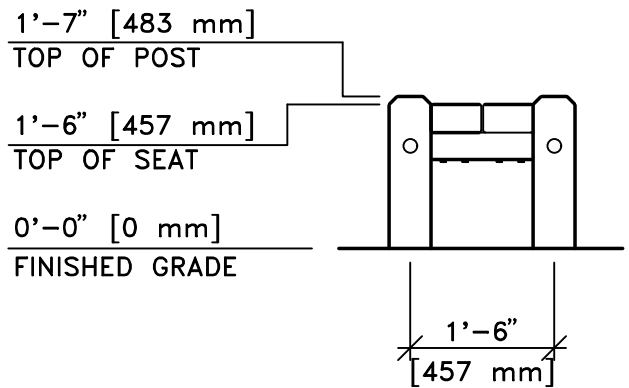


TOP VIEW

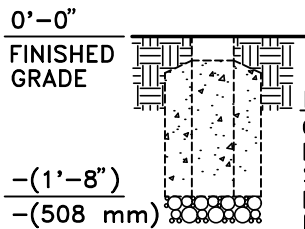


FRONT VIEW



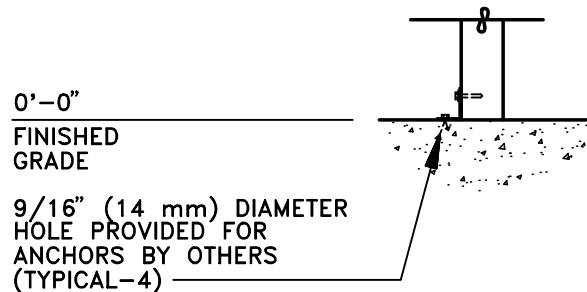
END VIEW

AVAILABLE IN 6' (SHOWN), 8' NOMINAL LENGTHS.
OTHER LENGTHS AVAILABLE UPON REQUEST.



NOTE:
CONCRETE FOOTING AND No. 4 REBAR BY OTHERS PER LOCAL SOIL CONDITIONS, CONSULT PROJECT ENGINEER FOR EXACT REQUIREMENTS.

2212-6-E (DIRECT EMBEDMENT)



2212-6-P (PEDESTAL MOUNT)

This drawing reveals the copyrighted intellectual property of Columbia Cascade Company. Not for use by others without our express, written authorization.

Authorization for use is hereby granted to architects, landscape architects and similar design professionals solely for the purpose of specifying TimberForm products.

03-05-18 ADD MOUNTING DETAILS AT/Ian

Scale 1/2" = 1'-0" Drawn by: AT 05-03-17
Ck'd by: CL 05-03-17

COLUMBIA CASCADE COMPANY
Makers of TimberForm®, PipeLine®, RePlay®, TimberForm®-2, InterPlay®, CycLoops® and CycLocker® Products.

1300 S.W. Sixth Avenue, Suite 310 Telephone 503/223-1157
Portland, Oregon 97201-3464 Facsimile 503/223-4530
U.S.A.

WWW.TIMBERFORM.COM

Title: **TIMBERFORM ARBOR**
MODEL NO. 2212-6
SEAT

Drawing No. **W-2212-6**

Sheet **1 of 1**