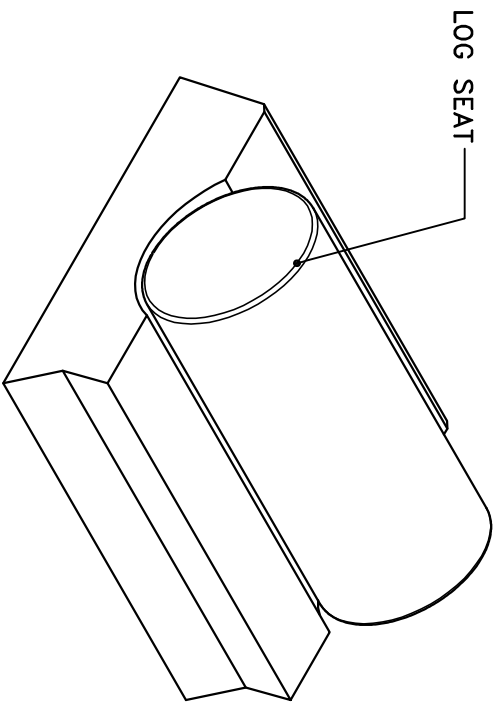
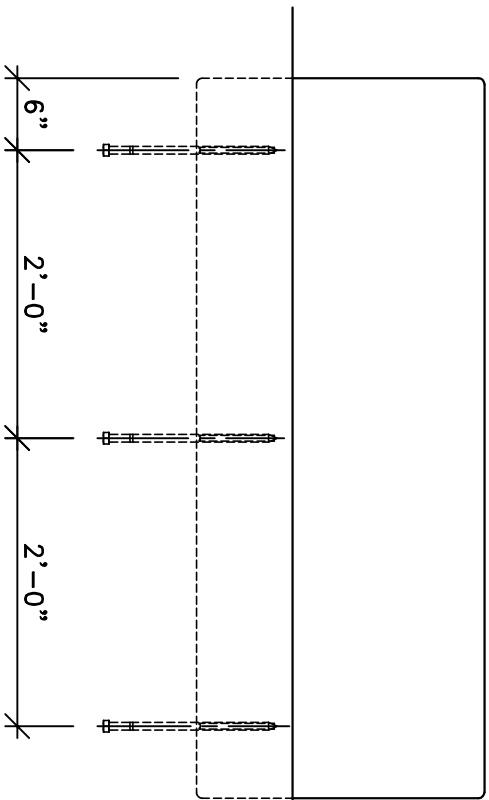


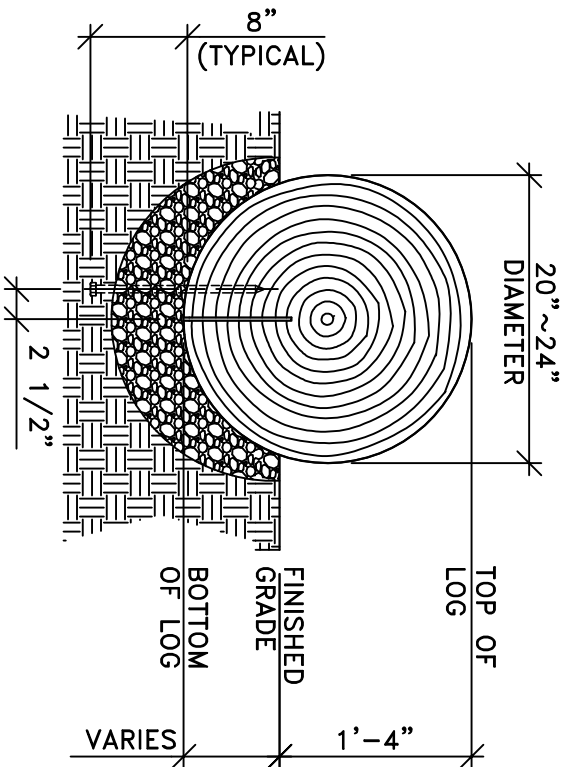
TOP VIEW
SCALE: 3/4"=1'-0"



ISOMETRIC VIEW
SCALE: NONE



FRONT VIEW
SCALE: 3/4"=1'-0"



SIDE VIEW
SCALE: 3/4"=1'-0"

This drawing reveals the copyrighted intellectual property of Columbia Cascade Company. Not for use by others without our express, written authorization. Authorization for use is hereby granted to architects, landscape architects and similar design professionals solely for the purpose of specifying Timberform products.



COLUMBIA CASCADE COMPANY
Makers of Timberform® PipeLIne®, RePlay®, TimberForm®-2, InterPlay®, CycLoops® and CycLocker® Products.
1300 S.W. Sixth Avenue, Suite 310 Telephone 503/223-1157
Portland, Oregon 97201-3464 Facsimile 503/223-4530
U.S.A.

Title: **TIMBERCRAFT**
MODEL NO. 2216-5
FULL ROUND LOG SEAT

Scale	Drawn by:	AT	04-23-18
NOTED	ck'd by:	CL	04-23-18

WWW.TIMBERFORM.COM

Drawing No. W-2216-5

Sheet 1 of 1