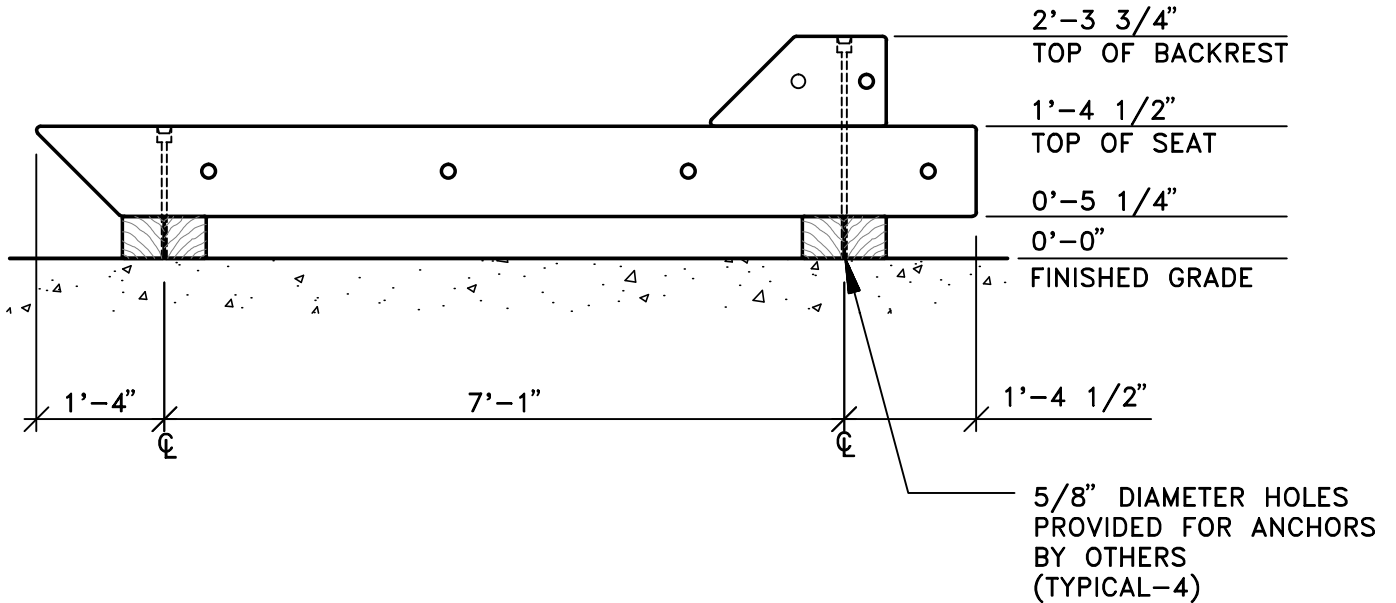


TOP VIEW



FRONT VIEW

NOTE:
 CONCRETE SLAB AND ANCHORING DEVICES (BY OTHERS) PER LOCAL CONDITIONS. CONSULT PROJECT ENGINEER FOR EXACT REQUIREMENTS.

<p>This drawing reveals the copyrighted intellectual property of Columbia Cascade Company. Not for use by others without our express, written authorization.</p> <p>Authorization for use is hereby granted to architects, landscape architects and similar design professionals solely for the purpose of specifying TimberForm products.</p>	<p>COLUMBIA CASCADE COMPANY Makers of TimberForm®, PipeLine®, RePlay®, TimberForm®-2, InterPlay®, CycLoops® and CycLocker® Products.</p> <p>1300 S.W. Sixth Avenue, Suite 310 Telephone 503/223-1157 Portland, Oregon 97201-3464 Facsimile 503/223-4530 U.S.A.</p> <p>WWW.TIMBERFORM.COM</p>	<p><i>Title:</i> TIMBERFORM COLOSSUS MODEL NO. 2220-10 DESIGNER SEAT</p>
<p>Scale 1/2" = 1'-0"</p>	<p>Drawn by: AT 03-22-17 Ck'd by: CL 03-22-17</p>	<p><i>Drawing No.</i> W-2220-10</p>
		<p><i>Sheet</i> 1 of 1</p>