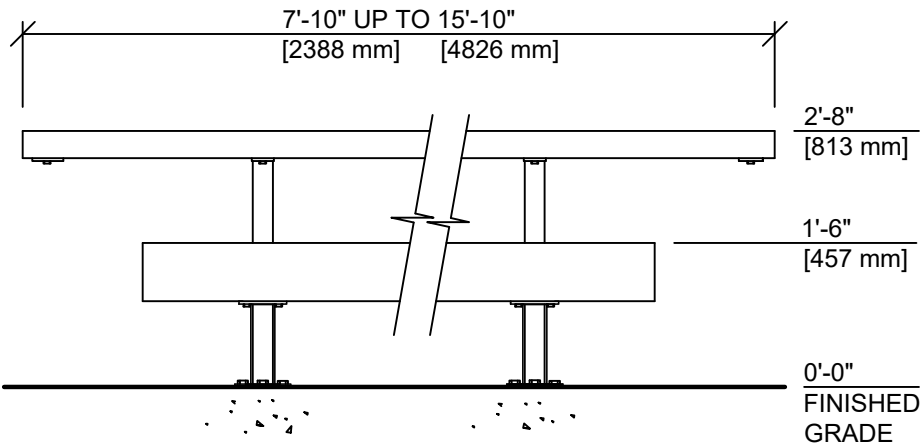
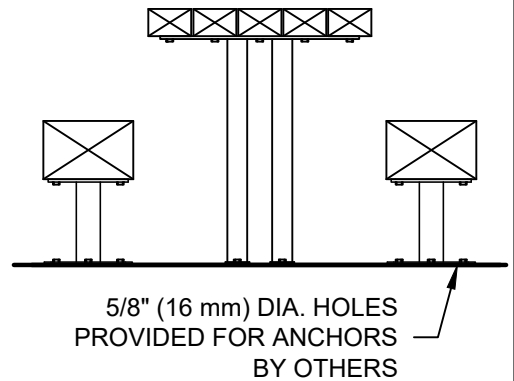


TOP VIEW



FRONT VIEW



END VIEW



Date	Revision	By
△		
△		
△		
△	03-22-22	FRAME REDESIGN AC/JH
Scale	Drawn by:	
1/2"=1'-0"	SG	11-18-20
	Ck'd by:	
	SK	11-18-20

**COLUMBIA CASCADE COMPANY**  
 Makers of TimberForm®, PipeLine®, RePlay®  
 TimberForm®-2 and CycLoops® Products.  
[www.TimberForm.com](http://www.TimberForm.com)  
 Phone: 503/223-1157 Email: HQ@TimberForm.com

This drawing reveals the copyrighted intellectual property of Columbia Cascade Company. Not for use by others without our express, written authorization.

Title: TIMBERFORM COLOSSUS™ NO. 2225 PICNIC TABLE	
Drawing No. W-2225	Sheet 1 of 1