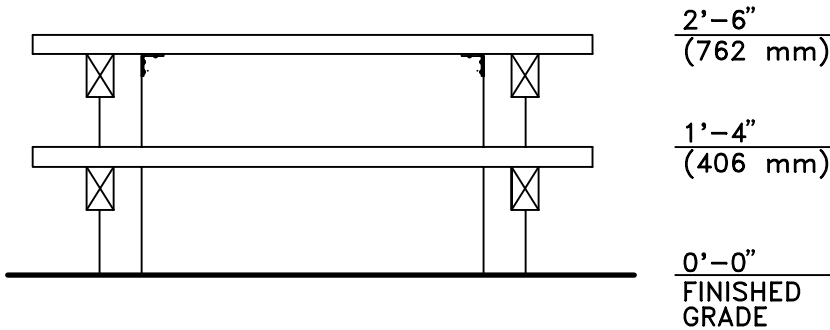
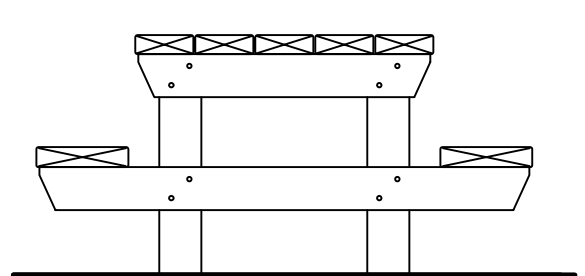


TOP VIEW

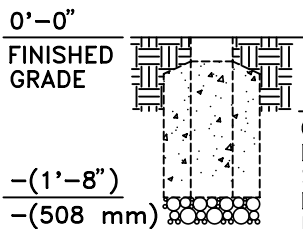


FRONT VIEW



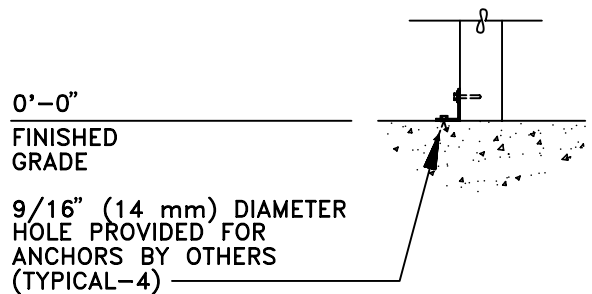
END VIEW

AVAILABLE IN 6' (SHOWN), 8' NOMINAL LENGTHS.
OTHER LENGTHS AVAILABLE UPON REQUEST.



2244-6-E (DIRECT EMBEDMENT)

NOTE:
CONCRETE FOOTING AND No. 4 REBAR BY OTHERS PER LOCAL SOIL CONDITIONS, CONSULT PROJECT ENGINEER FOR EXACT REQUIREMENTS.



2244-6-P (PEDESTAL MOUNT)

This drawing reveals the copyrighted intellectual property of Columbia Cascade Company. Not for use by others without our express, written authorization.

Authorization for use is hereby granted to architects, landscape architects and similar design professionals solely for the purpose of specifying TimberForm products.



COLUMBIA CASCADE COMPANY

Makers of TimberForm[®], PipeLine[®], RePlay[®], TimberForm[®]-2, InterPlay[®], CycLoops[®] and CycLocker[®] Products.

1300 S.W. Sixth Avenue, Suite 310 Telephone 503/223-1157
Portland, Oregon 97201-3464 Facsimile 503/223-4530
U.S.A.

WWW.TIMBERFORM.COM

Title:
**TIMBERFORM ARBOR TABLES
MODEL NO. 2244-6
PICNIC TABLE WITH SEATS**



Scale 1/2" = 1'-0" Drawn by: AT 07-04-10 Ck'd by:

Drawing No. W-2244-6

Sheet 1 of 1