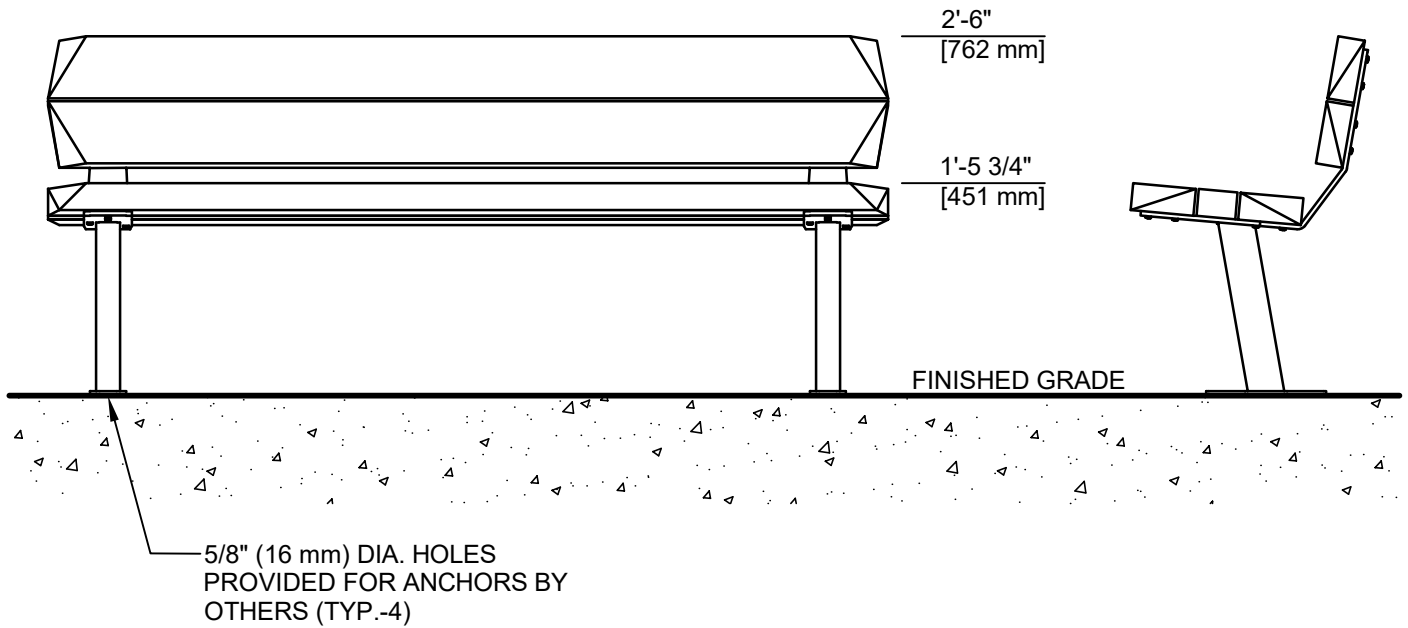


TOP VIEW



FRONT VIEW

END VIEW

AVAILABLE IN 3', 4', 5', 6' (SHOWN), AND 8' NOMINAL LENGTHS.  
OTHER LENGTHS AVAILABLE UPON REQUEST.

Date	Revision	By
△		
△		
△		
△		
Scale 3/4" = 1'-0"	Drawn by: JH Ck'd by: WW	08-05-22 08-05-22

**COLUMBIA CASCADE COMPANY**  
Makers of TimberForm®, PipeLine®, RePlay®,  
TimberForm®-2 and CycLoops® Products.

**www.TimberForm.com**  
Phone: 503/223-1157 Email: HQ@TimberForm.com

This drawing reveals the copyrighted intellectual property of Columbia Cascade Company. Not for use by others without our express, written authorization.

Title: **TIMBERFORM PRISM™**  
MODEL NO. 2370-6  
BENCH WITH BACKREST (DF SLATS)  
(PATENT PENDING)

Drawing No. **W-2370-6**

Sheet **1 of 1**