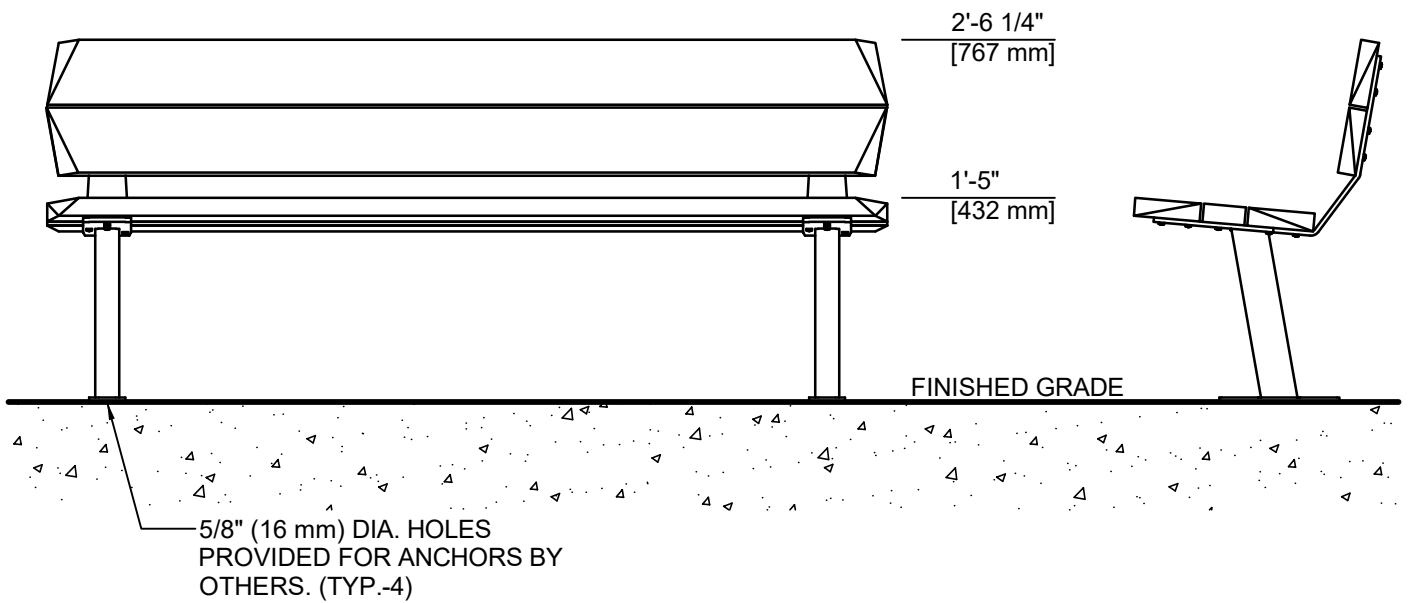


TOP VIEW



FRONT VIEW

END VIEW

AVAILABLE IN 3', 4', 5', 6' (SHOWN), AND 8' NOMINAL LENGTHS.
OTHER LENGTHS AVAILABLE UPON REQUEST.

Date	Revision	By
△		
△		
△		
△		
Scale 3/4" = 1'-0"	Drawn by: JH Ck'd by: WW	08-05-22 08-05-22

COLUMBIA CASCADE COMPANY
Makers of TimberForm®, PipeLine®, RePlay®,
TimberForm®-2 and CycLoops® Products.

www.TimberForm.com
Phone: 503/223-1157 Email: HQ@TimberForm.com

This drawing reveals the copyrighted intellectual property of Columbia Cascade Company. Not for use by others without our express, written authorization.

Title: TIMBERFORM PRISM™ MODEL NO. 2380-6 BENCH WITH BACKREST (IPE SLATS) (PATENT PENDING)	
Drawing No. W-2380-6	Sheet 1 of 1