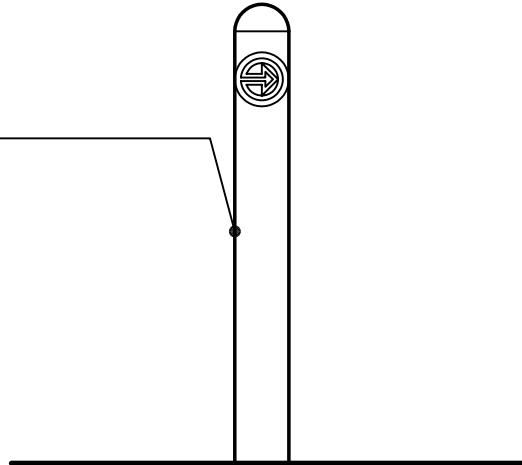


TOP VIEW

3'-2 1/4"
(972 mm)

DIRECTIONAL
POST ASSEMBLY



0'-0"

FINISHED GRADE

FRONT VIEW

NOTE:

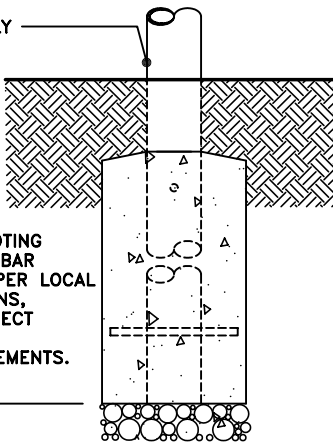
WHEN ORDERING THIS SIGN, SPECIFY MODEL NO. 2551-1 THRU 12, NUMBERS 1-12 REPRESENT DIRECTION OR ARROW CORRESPONDING TO THE FACE OF A CLOCK. (2551-3 SHOWN)

DIRECTIONAL
POST ASSEMBLY

0'-0"
FINISHED
GRADE

NOTE:
CONCRETE FOOTING
AND NO. 4 REBAR
(BY OTHERS) PER LOCAL
SOIL CONDITIONS,
CONSULT PROJECT
ENGINEER FOR
EXACT REQUIREMENTS.

-(3'-0")
-(914 mm)



2551-E (EMBEDMENT MOUNTING)

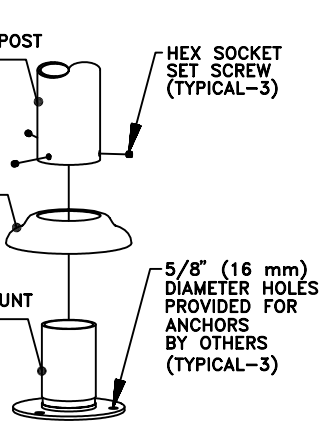
DIRECTIONAL POST
ASSEMBLY

BASE COVER

PEDESTAL MOUNT
BASE

HEX SOCKET
SET SCREW
(TYPICAL-3)

5/8" (16 mm)
DIAMETER HOLES
PROVIDED FOR
ANCHORS
BY OTHERS
(TYPICAL-3)



2551-P (PEDESTAL MOUNTING)

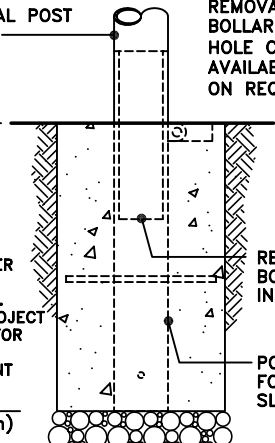
DIRECTIONAL POST
ASSEMBLY

0'-0"
FINISHED
GRADE

NOTE:
CONCRETE
FOOTING
AND NO. 4
REBAR (BY
OTHERS) PER
LOCAL SOIL
CONDITIONS.
CONSULT PROJECT
ENGINEER FOR
EXACT
REQUIREMENT
-(2'-0")
-(610 mm)

REMOVABLE
BOLLARD
HOLE COVER
AVAILABLE
ON REQUEST

REMOVABLE
BOLLARD
INSERT
POST
FOOTING
SLEEVE



2551-R (REMOVABLE MOUNTING)

This drawing reveals the copyrighted intellectual property of Columbia Cascade Company. Not for use by others without our express, written authorization.

Authorization for use is hereby granted to architects, landscape architects and similar design professionals solely for the purpose of specifying TimberForm products.



COLUMBIA CASCADE COMPANY

Makers of TimberForm®, PipeLine®,
RePlay®, TimberForm®-2, InterPlay®,
CycLoops® and CycLocker® Products.

1300 S.W. Sixth Avenue, Suite 310 Telephone 503/223-1157
Portland, Oregon 97201-3464 Facsimile 503/223-4530
U.S.A.

WWW.TIMBERFORM.COM

Title:

TIMBERFORM

MODEL NO. 2551

METAL BOLLARD WITH DIRECTIONAL ARROW



Scale
3/4" = 1'-0"

Drawn by: AT 07-04-10
Ck'd by:

Drawing No.
W-2551

Sheet
1 of 1