

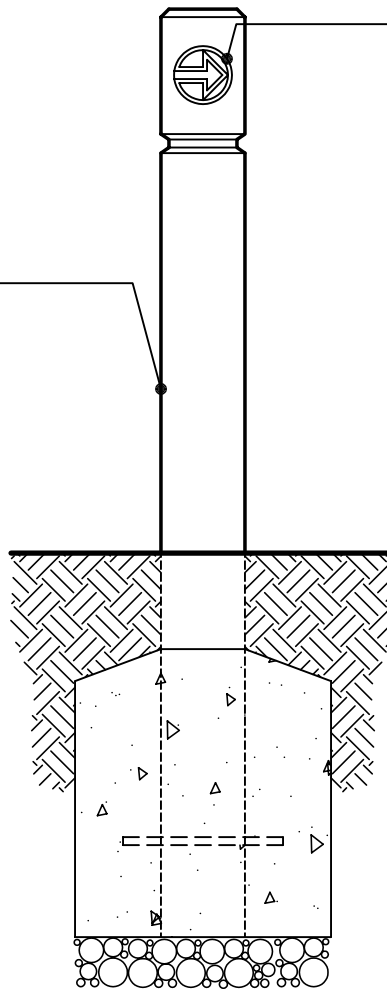
TOP VIEW

2'-10"  
(864 mm)

6 x 6 (NOM.)  
TIMBER BOLLARD

0'-0"  
FINISHED GRADE

-(2'-0")  
-(610 mm)



DIRECTIONAL ARROW  
IN ROUTED RECESS  
(ARROW ORIENTATION  
PER PROJECT PLANS)

**NOTE:**  
CONCRETE FOOTING AND NO. 4  
REBAR (BY OTHERS) PER LOCAL  
SOIL CONDITIONS. CONSULT  
PROJECT ENGINEER FOR EXACT  
REQUIREMENTS.

FRONT VIEW

This drawing reveals the copyrighted intellectual property of Columbia Cascade Company. Not for use by others without our express, written authorization.

Authorization for use is hereby granted to architects, landscape architects and similar design professionals solely for the purpose of specifying TimberForm products.



**COLUMBIA CASCADE COMPANY**

Makers of TimberForm®, PipeLine®,  
RePlay®, TimberForm®-2, InterPlay®,  
CycLoops® and CycLocker® Products.

1300 S.W. Sixth Avenue, Suite 310 Telephone 503/223-1157  
Portland, Oregon 97201-3464 Facsimile 503/223-4530  
U.S.A.

WWW.TIMBERFORM.COM

Title:

**TIMBERFORM  
MODEL NO. 2553  
TIMBER BOLLARD WITH DIRECTIONAL ARROW**



Scale  
1" = 1'-0"

Drawn by: AT 07-04-10  
Ck'd by:

Drawing No.  
W-2553

Sheet  
1 of 1