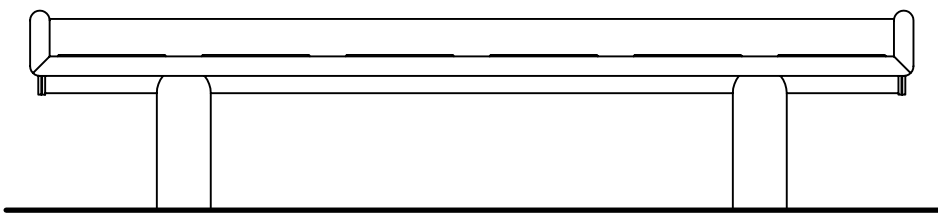
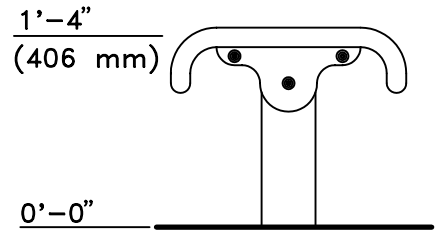


TOP VIEW



FRONT VIEW



1'-4"
(406 mm)

0'-0"
FINISHED
GRADE

END VIEW

AVAILABLE IN 2', 6' (SHOWN) NOMINAL LENGTHS.
OTHER LENGTHS AVAILABLE UPON REQUEST.

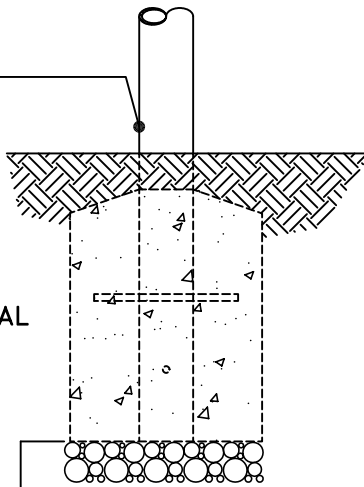
**SEAT FRAME
ASSEMBLY
(EMBEDMENT)**

0'-0"
FINISHED GRADE

NOTE:
CONCRETE FOOTING
AND NO. 4 REBAR
(BY OTHERS) PER LOCAL
SOIL CONDITIONS,
CONSULT PROJECT
ENGINEER FOR
EXACT REQUIREMENTS.

-(2'-0")
-(610 mm)

2602-6-E (DIRECT EMBEDMENT)

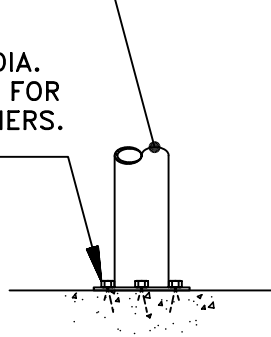


**SEAT FRAME
ASSEMBLY
(PEDESTAL)**

5/8" (16 mm) DIA.
HOLES PROVIDED FOR
ANCHORS BY OTHERS.
(TYPICAL-6)

0'-0"
FINISHED GRADE

2602-6-P (PEDESTAL MOUNT)



This drawing reveals the copyrighted intellectual property of Columbia Cascade Company. Not for use by others without our express, written authorization.

Authorization for use is hereby granted to architects, landscape architects and similar design professionals solely for the purpose of specifying TimberForm products.



Scale
3/4" = 1'-0"

Drawn by: AT 07-04-10
Ck'd by:



COLUMBIA CASCADE COMPANY

Makers of TimberForm®, PipeLine®,
RePlay®, TimberForm®-2, InterPlay®,
CycLoops® and CycLocker® Products.

1300 S.W. Sixth Avenue, Suite 310 Telephone 503/223-1157
Portland, Oregon 97201-3464 Facsimile 503/223-4530
U.S.A.

WWW.TIMBERFORM.COM

Title:
**TIMBERFORM BOULEVARD
MODEL NO. 2602-6
SEAT**

Drawing No.
W-2602-6

Sheet
1 of 1