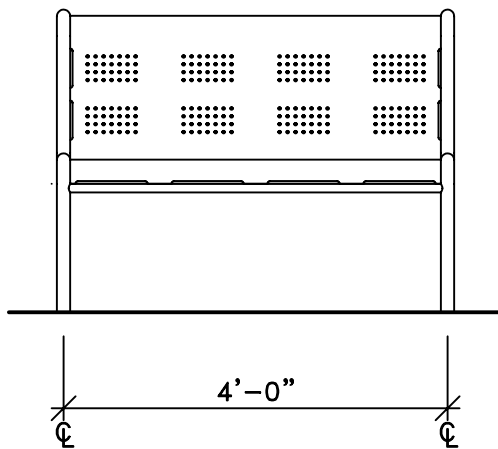


TOP VIEW

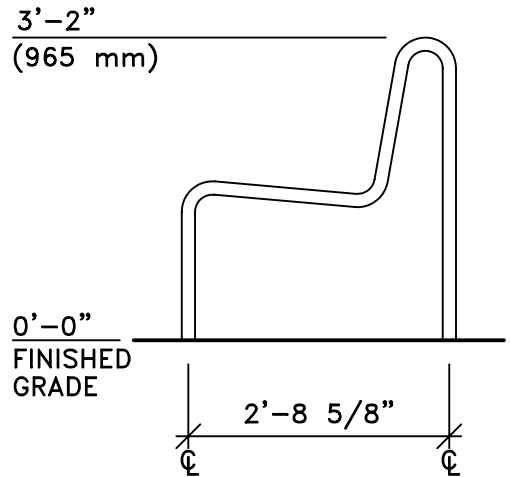
SCALE: 1/2"=1'-0"



FRONT VIEW

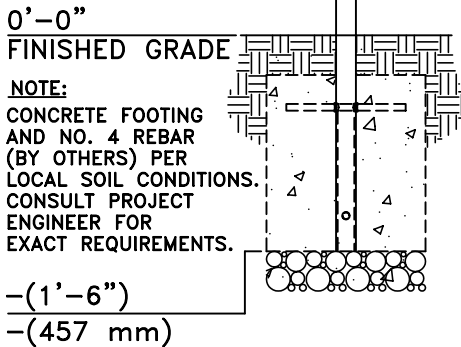
SCALE: 1/2"=1'-0"

AVAILABLE IN 4' (SHOWN), 6', 8' NOMINAL LENGTHS.
OTHER LENGTHS AVAILABLE UPON REQUEST.



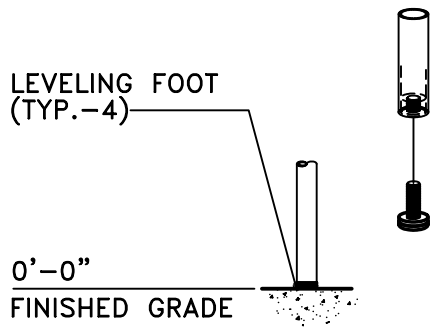
END VIEW

SCALE: 1/2"=1'-0"



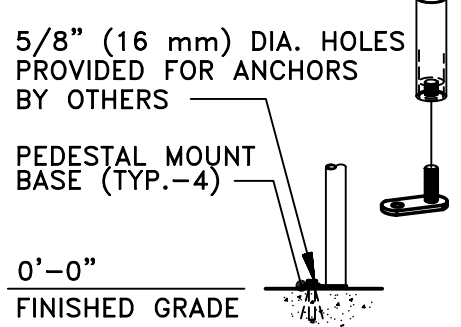
2613-4-ADA-E
(DIRECT EMBEDMENT)

SCALE: 3/4"=1'-0"



2613-4-ADA-L
(LEVELING MOUNT)

SCALE: 3/4"=1'-0"



2613-4-ADA-P
(PEDESTAL MOUNT)

SCALE: 3/4"=1'-0"

This drawing reveals the copyrighted intellectual property of Columbia Cascade Company. Not for use by others without our express, written authorization.

Authorization for use is hereby granted to architects, landscape architects and similar design professionals solely for the purpose of specifying TimberForm products.

COLUMBIA CASCADE COMPANY
Makers of TimberForm®, PipeLine®, RePlay®, TimberForm®-2, InterPlay®, CycLoops® and CycLocker® Products.

1300 S.W. Sixth Avenue, Suite 310 Telephone 503/223-1157
Portland, Oregon 97201-3464 Facsimile 503/223-4530
U.S.A.

Title:
**TIMBERFORM BOULEVARD
MODEL NO. 2613-4-ADA
ACCESSIBLE BENCH**



Scale	Drawn by: Ian	05-29-12
NOTED	Ch'd by: CL	05-29-12

WWW.TIMBERFORM.COM

Drawing No.
W-2613-4-ADA

Sheet
1 of 1