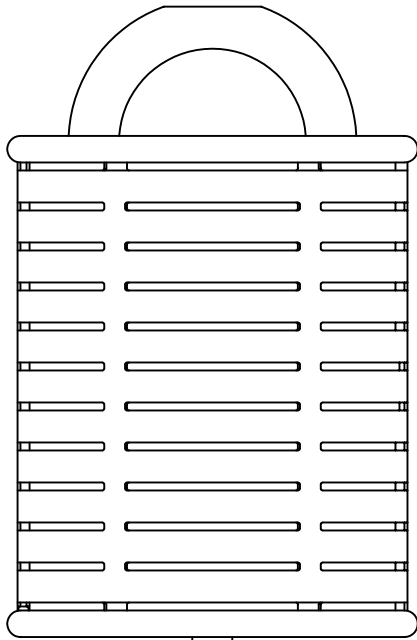


TOP VIEW

3'-5 5/8"

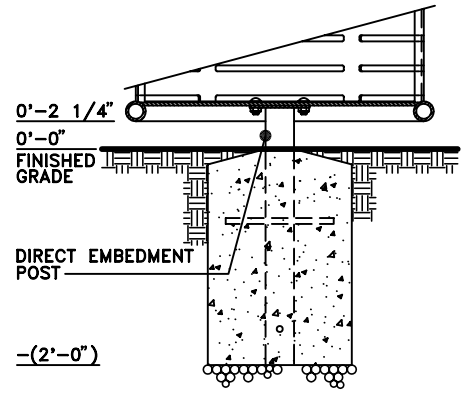


FRONT VIEW

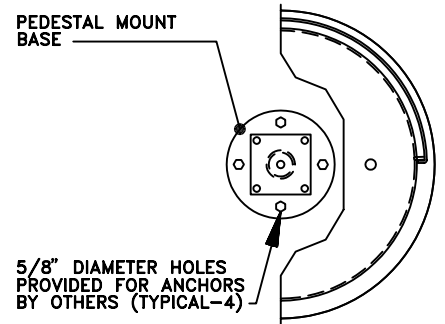
0'-0"

2629-AT-P (PEDESTAL MOUNT)
SCALE: 1" = 1'-0"

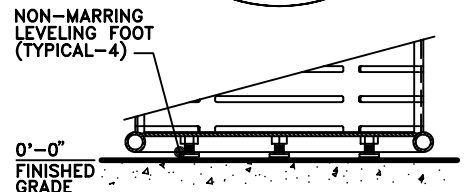
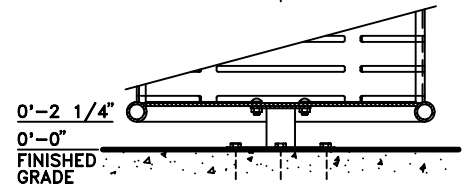
INCLUDES 32-GALLON RECYCLED PLASTIC LINER.
RECYCLING TOPS AND SIGNAGE AVAILABLE UPON REQUEST.



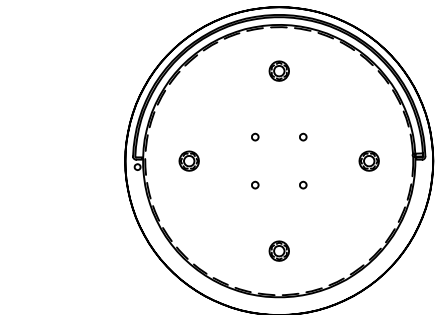
2629-AT-E (EMBEDMENT)
SCALE: N.T.S.



2629-AT-P (PEDESTAL MOUNT)
SCALE: N.T.S.



2629-AT-L (LEVELING MOUNT)
SCALE: N.T.S.



NON-MARRING
LEVELING FOOT
(TYPICAL-4)

This drawing reveals the copyrighted intellectual property of Columbia Cascade Company. Not for use by others without our express, written authorization.
Authorization for use is hereby granted to architects, landscape architects and similar design professionals solely for the purpose of specifying TimberForm products.

COLUMBIA CASCADE COMPANY
Makers of TimberForm®, PipeLine®, RePlay®, TimberForm®-2, InterPlay®, CycLoops® and CycLocker® Products.
1300 S.W. Sixth Avenue, Suite 310 Telephone 503/223-1157
Portland, Oregon 97201-3464 Facsimile 503/223-4530
U.S.A.
WWW.TIMBERFORM.COM

Title:
TIMBERFORM BROADWAY
MODEL NO. 2629-AT
LITTER CONTAINER, SIDE EMPTY
WITH ASH/DOME TOP

Scale NOTED	Drawn by: CL 04-16-10	Ck'd by:
----------------	--------------------------	----------

Drawing No. W-2629-AT	Sheet 1 of 1
--------------------------	-----------------