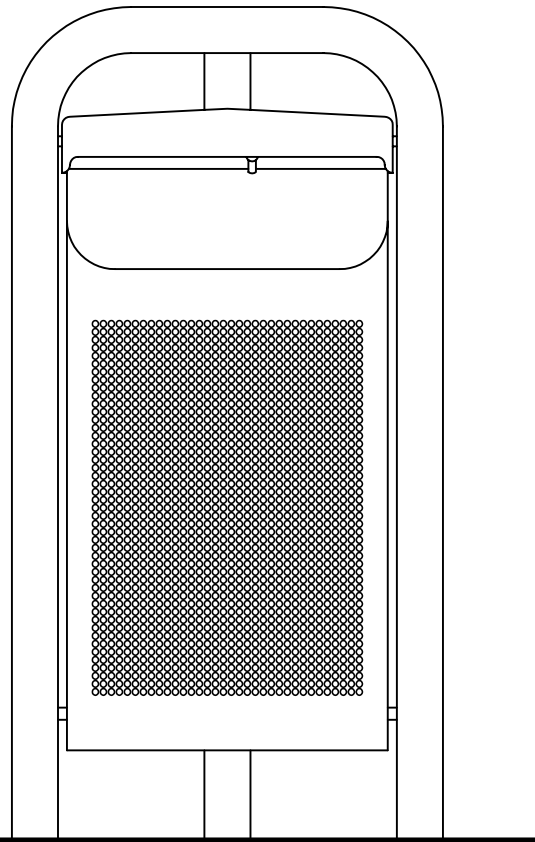


TOP VIEW
SCALE: 1"=1'-0"

4'-4"
(1321 mm)

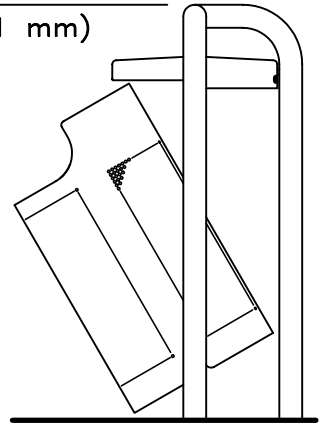


FRONT VIEW
SCALE: 1"=1'-0"

INCLUDES 23-GALLON RECYCLED PLASTIC LINER.

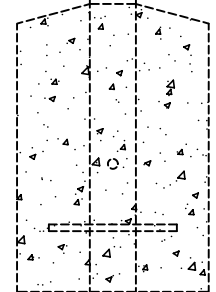
4'-4"
(1321 mm)

0'-0"



SIDE VIEW
SCALE: 1/2"=1'-0"

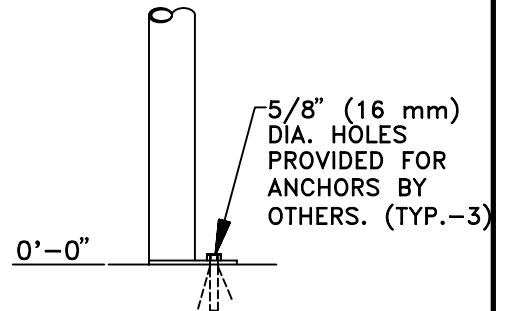
0'-0"



-(2'-0")
-(610 mm)

NOTE:
CONCRETE FOOTING AND NO. 4 REBAR (BY OTHERS) PER LOCAL SOIL CONDITIONS. CONSULT PROJECT ENGINEER FOR EXACT REQUIREMENTS.

2651-E (DIRECT EMBEDMENT)
SCALE: 1"=1'-0"



2651-P (PEDESTAL MOUNT)
SCALE: 1"=1'-0"

This drawing reveals the copyrighted intellectual property of Columbia Cascade Company. Not for use by others without our express, written authorization.

Authorization for use is hereby granted to architects, landscape architects and similar design professionals solely for the purpose of specifying TimberForm products.



COLUMBIA CASCADE COMPANY

Makers of TimberForm®, PipeLine®, RePlay®, TimberForm®-2, InterPlay®, CycLoops® and CycLocker® Products.

1300 S.W. Sixth Avenue, Suite 310 Telephone 503/223-1157
Portland, Oregon 97201-3464 Facsimile 503/223-4530
U.S.A.

WWW.TIMBERFORM.COM

Title:
**TIMBERFORM PALOMAR
MODEL NO. 2651
TILT-OUT LITTLE CONTAINER**



| | | |
|----------------|--------------|----------|
| Scale NOTED | Drawn by: AT | 07-04-10 |
| | Ck'd by: | |

Drawing No.
W-2651

Sheet
1 of 1