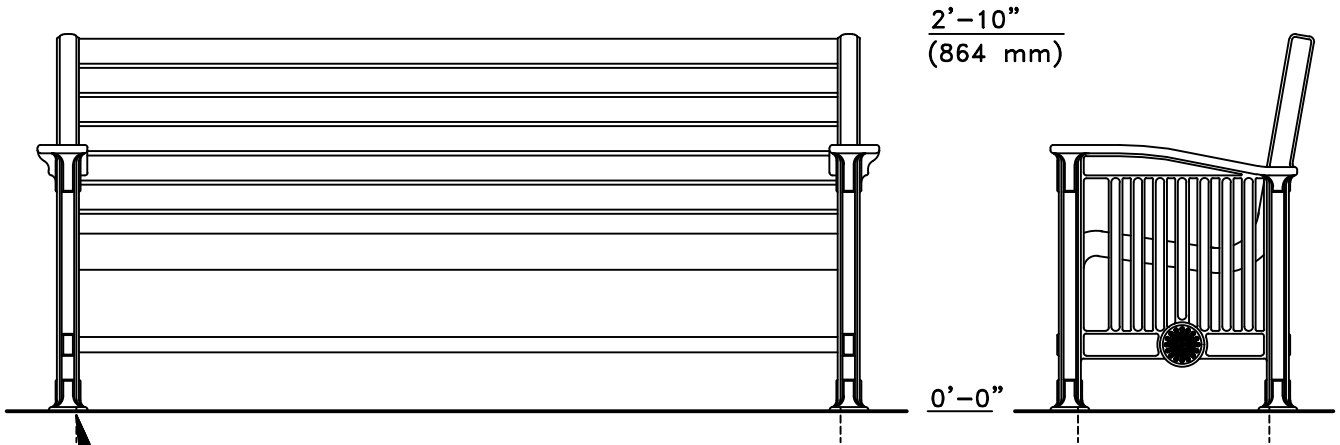


TOP VIEW



1/2" (13 mm) DIA. HOLES
PROVIDED FOR ANCHORS BY
OTHERS. (TYPICAL-4)

FRONT VIEW

END VIEW


AVAILABLE IN 4', 5', 6' (SHOWN) AND 8' NOMINAL LENGTHS.
OTHER LENGTHS AVAILABLE UPON REQUEST.

This drawing reveals the copyrighted intellectual property of Columbia Cascade Company. Not for use by others without our express, written authorization.

Authorization for use is hereby granted to architects, landscape architects and similar design professionals solely for the purpose of specifying TimberForm products.

08-25-22 EDIT NOTE WW/AC

Scale 3/4"=1'-0" Drawn by: AT 07-04-10 Ck'd by:

 COLUMBIA CASCADE COMPANY
Makers of TimberForm®, PipeLine®, RePlay®, TimberForm®-2 and CycLoops® Products.

www.TimberForm.com

Phone: 503/223-1157 Email: HQ@TimberForm.com

This drawing reveals the copyrighted intellectual property of Columbia Cascade Company. Not for use by others without our express, written authorization.

Title:
TIMBERFORM CRAFTSMEN
MODEL NO. 2663-6
BENCH WITH ARMRESTS

Drawing No.
W-2663-6

Sheet
1 of 1