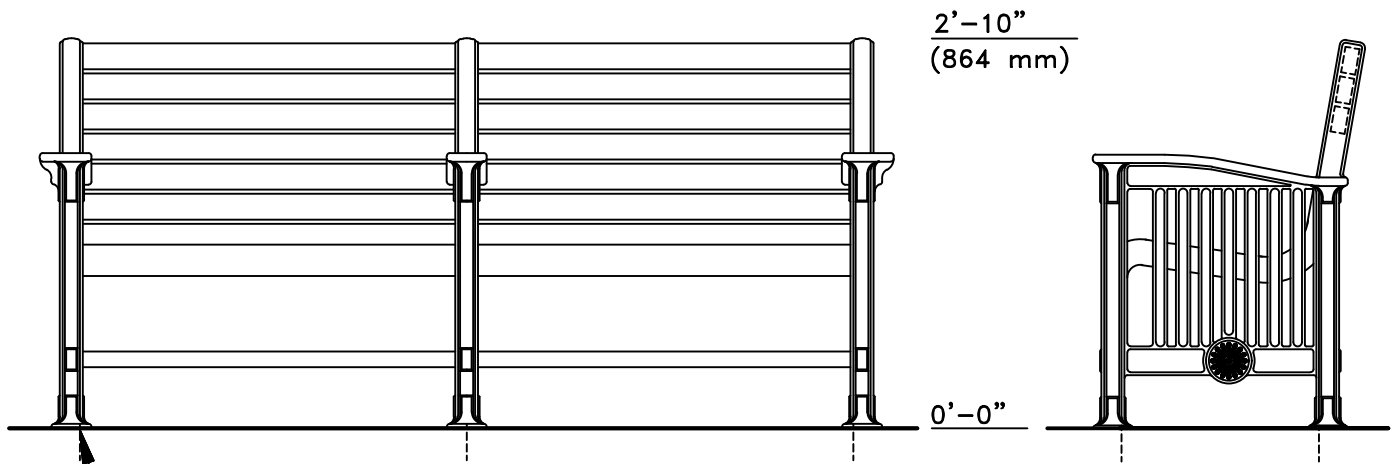


TOP VIEW



1/2" (13 mm) DIA. HOLES  
PROVIDED FOR ANCHORS BY  
OTHERS. (TYPICAL-6)

FRONT VIEW

END VIEW

AVAILABLE IN 4', 6' (SHOWN), 8', 12', AND 16' NOMINAL LENGTHS.  
OTHER LENGTHS AVAILABLE UPON REQUEST.

This drawing reveals the copyrighted intellectual property of Columbia Cascade Company. Not for use by others without our express, written authorization.

Authorization for use is hereby granted to architects, landscape architects and similar design professionals solely for the purpose of specifying TimberForm products.



**COLUMBIA CASCADE COMPANY**  
Makers of TimberForm®, PipeLine®, RePlay®  
TimberForm®-2 and CycLoops® Products.

[www.TimberForm.com](http://www.TimberForm.com)

Phone: 503/223-1157 Email: HQ@TimberForm.com

This drawing reveals the copyrighted intellectual property of Columbia Cascade Company. Not for use by others without our express, written authorization.

**Title:**  
**TIMBERFORM CRAFTSMEN**  
**MODEL NO. 2664-6**  
**BENCH WITH INTERMEDIATE ARMRESTS**

**08-25-22**    **EDIT NOTE**    **WW/AC**

Scale: 3/4"=1'-0"    Drawn by: AT    07-04-10  
Ck'd by:

**Drawing No.**  
**W-2664-6**

**Sheet**  
**1 of 1**