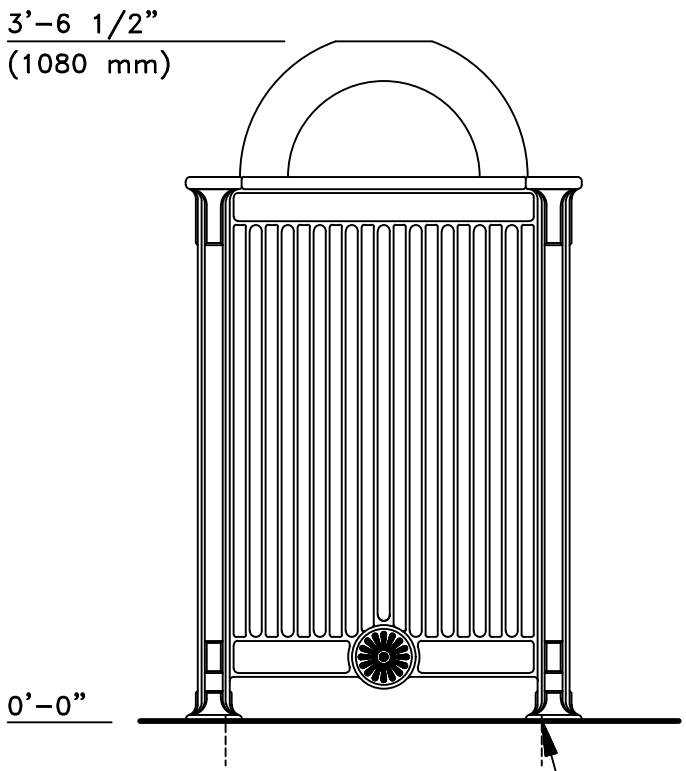


TOP VIEW



FRONT VIEW

1/2" (13 mm) DIA. HOLES PROVIDED FOR ANCHORS BY OTHERS. (TYPICAL-4)

INCLUDES 36-GALLON RECYCLED PLASTIC LINER.

This drawing reveals the copyrighted intellectual property of Columbia Cascade Company. Not for use by others without our express, written authorization.

Authorization for use is hereby granted to architects, landscape architects and similar design professionals solely for the purpose of specifying TimberForm products.

1 08-25-22 EDIT NOTE WW/AC

Scale 1"=1'-0" Drawn by: AT 07-04-10 Ck'd by:

COLUMBIA CASCADE COMPANY
 Makers of TimberForm®, PipeLine®, RePlay®, TimberForm®-2 and CycLoops® Products.

www.TimberForm.com
 Phone: 503/223-1157 Email: HQ@TimberForm.com

This drawing reveals the copyrighted intellectual property of Columbia Cascade Company. Not for use by others without our express, written authorization.

Title: **TIMBERFORM CRAFTSMEN MODEL NO. 2667-AT LITTER CONTAINER, WITH ASH/DOME TOP**

Drawing No. **W-2667-AT** Sheet **1 of 1**